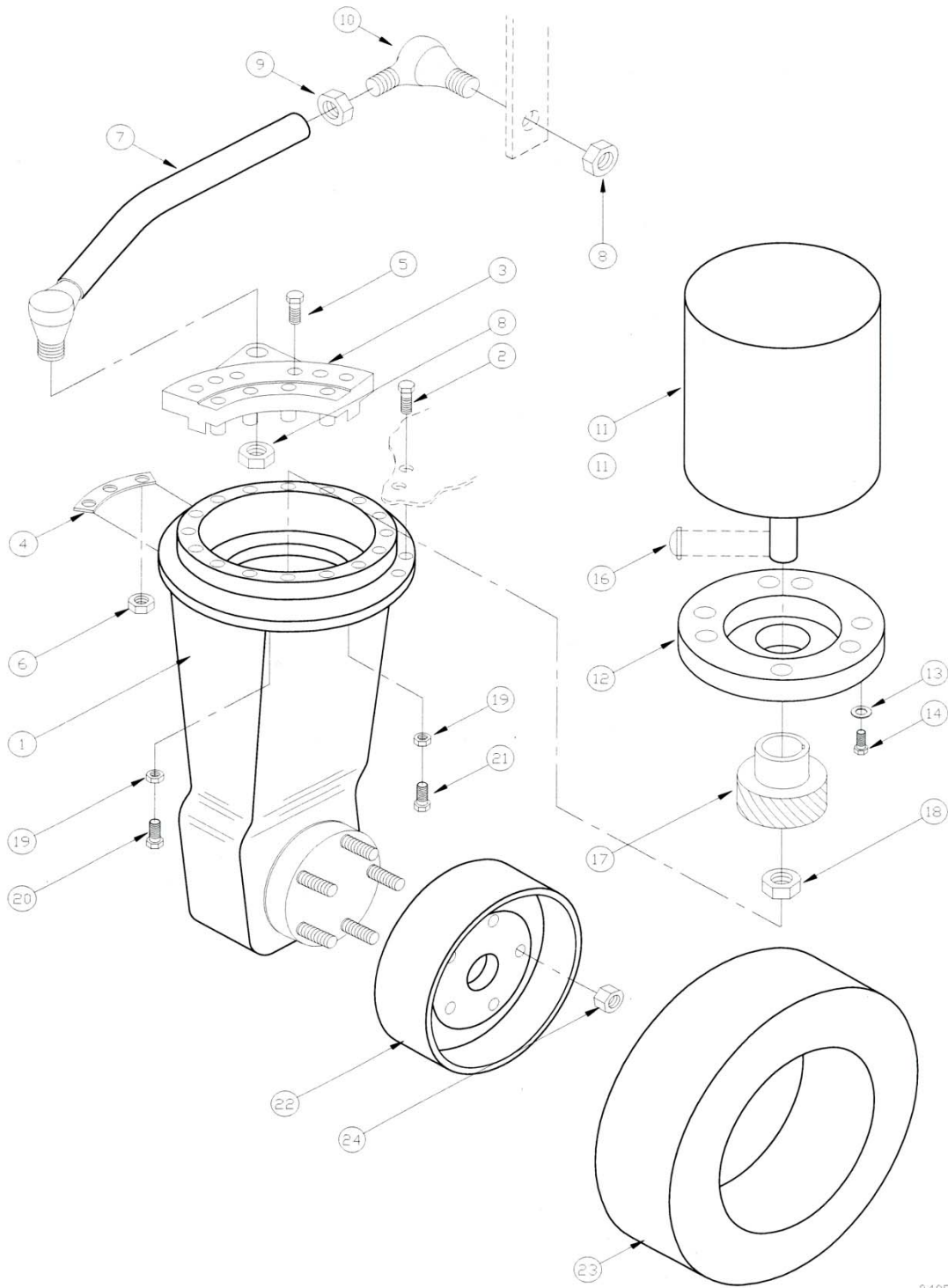


POWERBOSS®

PARTS SECTION FOR: TSS & CSS/65

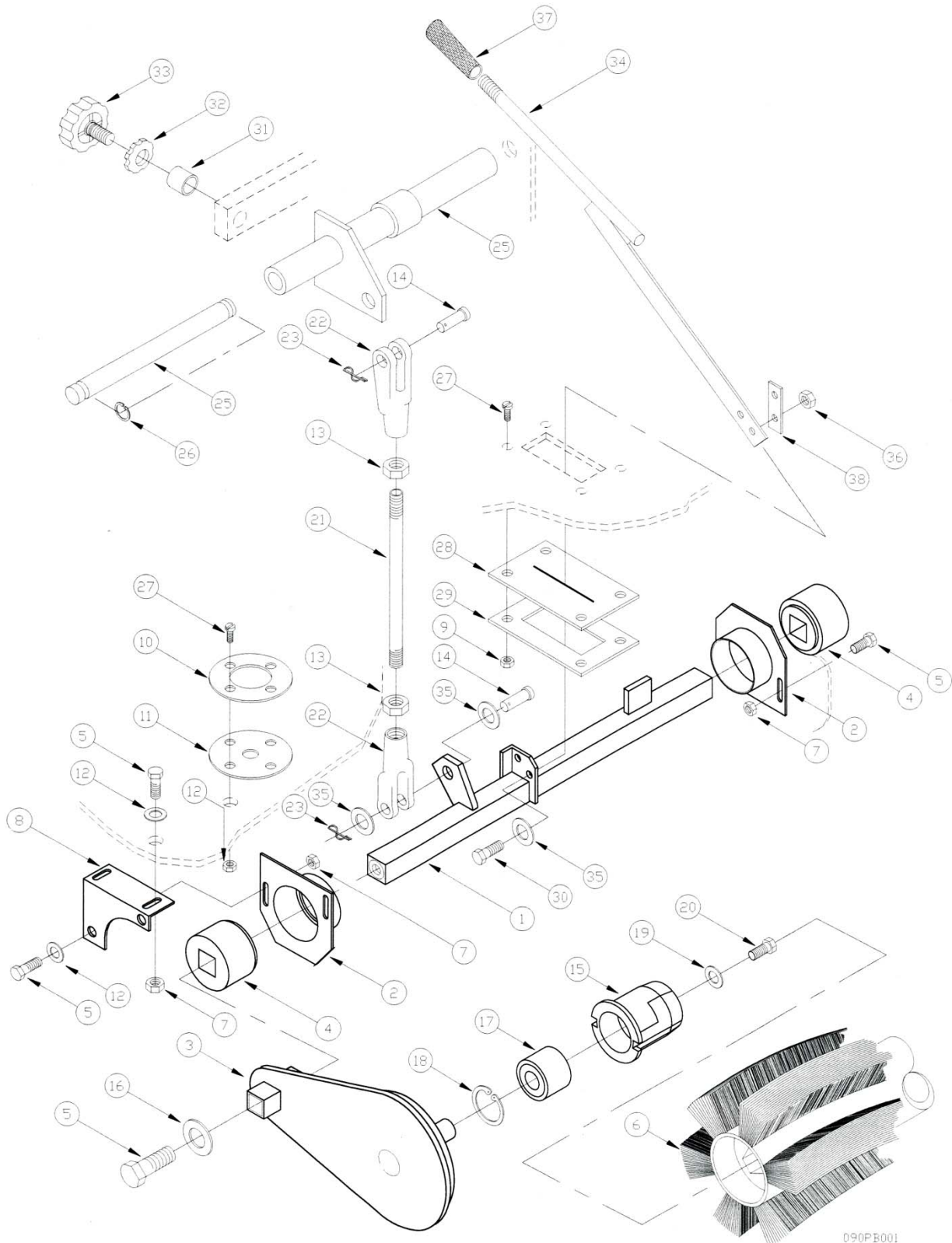
Main Broom Group	2
Steering Group	6
Impeller Group	10
Gasket Mount Assembly	12
Directional Control Group	14
Potentiometer Mounting Group	16
Hopper Group	
TSS	18
Hopper Dump	20
CSS	22
Front Wheel Group	24
Brake Group	26
Auxiliary Group	
TSS	28
CSS	30
Lift Arm Group	32
Solution Delivery Tank Group	34
Operator's Console Group	36
Side Broom Group	38
Side Broom Cable Group	40
Frame Group	42
Clip / Seat Group	44
Solution Pick-Up (Vacuum) Group	46
Solution Pick-Up (Vacuum Fan) Group	48
Floor Pan Group	50
Broom Door Group	52
Recovery Tank Group	
Top / External Components	54
Internal / Clean-Out Components	56
Control Box Group	58
Scrubhead Group	62
Squeegee Group	64
Front Bumper Group	68
Hydraulic System Group	70
Miscellaneous Group	72
Decal Group	74
Options	
Side Scrub (EdgeScrub™)	76
Overhead Guard	80
Heavy Duty Curb Broom Guard	82
Grammer Seat	84
Warning Lights	86
Squeegee Wand	88
Fire Extinguisher	90

STEERING GROUP



040PB002

MAIN BROOM GROUP



090PB001

POWERBOSS®

PARTS SECTION FOR: TSS & CSS/65

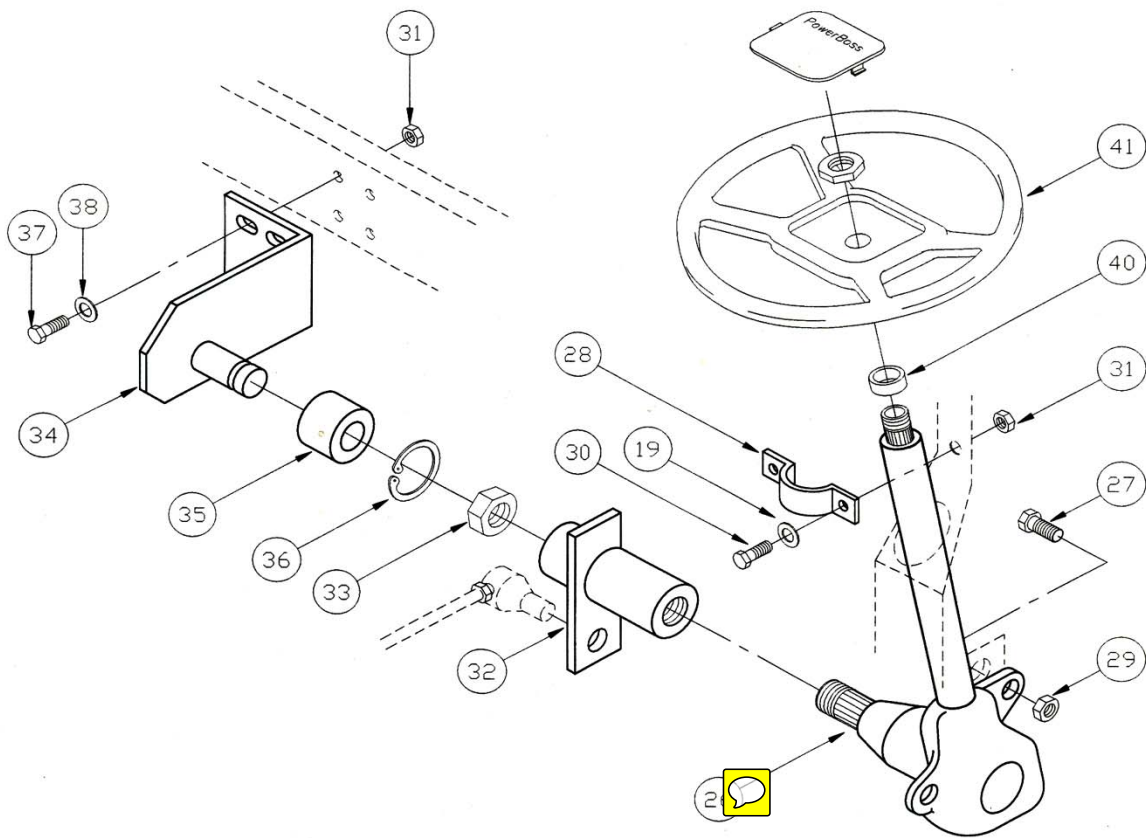
Main Broom Group	2
Steering Group	6
Impeller Group	10
Gasket Mount Assembly	12
Directional Control Group	14
Potentiometer Mounting Group	16
Hopper Group	
TSS	18
Hopper Dump	20
CSS	22
Front Wheel Group	24
Brake Group	26
Auxiliary Group	
TSS	28
CSS	30
Lift Arm Group	32
Solution Delivery Tank Group	34
Operator's Console Group	36
Side Broom Group	38
Side Broom Cable Group	40
Frame Group	42
Clip / Seat Group	44
Solution Pick-Up (Vacuum) Group	46
Solution Pick-Up (Vacuum Fan) Group	48
Floor Pan Group	50
Broom Door Group	52
Recovery Tank Group	
Top / External Components	54
Internal / Clean-Out Components	56
Control Box Group	58
Scrubhead Group	62
Squeegee Group	64
Front Bumper Group	68
Hydraulic System Group	70
Miscellaneous Group	72
Decal Group	74
Options	
Side Scrub (EdgeScrub™)	76
Overhead Guard	80
Heavy Duty Curb Broom Guard	82
Grammer Seat	84
Warning Lights	86
Squeegee Wand	88
Fire Extinguisher	90

**Shrinkwrap protective cover
Please Discard**

STEERING GROUP

REF. #	PART NUMBER	DESCRIPTION OF PART	QTY. USED
1	311001	TRANSMISSION - SW62	1
2	400463	BOLT - HEX 12 MM 1.75 PITCH X 25 MM LG	6
3	311840	ASSY - ARM STEERING FORK	1
4	311119	PLATE - STEERING ARM RETAINER	2
5	400228	BOLT - 5/16-24 X 1.5 LONG	6
6	400420	NUT - 5/16-24 NYLOK	6
7	311539	ASSY - STEERING ROD	1
8	400188	NUT - 1/2-20 ELASTIC JAM	2
9	400313	NUT - 11/16-18	1
10	300466	BALL JOINT - STEERING	1
11	311831	MOTOR - DRIVE 36 VOLT	1
12	311269	PLATE - ADAPTER DRIVE MOTOR	1
13	400101	WASHER - LOCK 3/8	4
14	400029	BOLT - 3/8-16 X 1.25 LONG	4
	311661	SEALANT - SILICONE	As Required
16	312121	KEY - WOODRUFF #505	1
17	Supplied w/ #1	GEAR	1
18	400317	NUT - 1/2-13 NYLOK JAM	1
19	400102	WASHER - LOCK 5/16	5
20	400471	BOLT - 5/16-18 X 3.25 LONG	2
21	400466	BOLT - 5/16-18 X 2.5 LONG	1
22	311095	RIM - REAR	1
23	311002	TIRE - SOLID PRESS-ON 12.12 ID	1
24	311562	NUT - WHEEL LUG 14MM	5
25	311569	OIL - GEAR 80W90	Approx. 3.25 qts.
26	311771	STEERING GEAR - PURCHASED	1
27	400023	BOLT - 1/2-13 X 1.25 LONG	3
28	300228	BRACKET	1
29	400078	NUT - 1/2-13 ELASTIC LOCK	3
30	400036	BOLT - 5/16-18 X .75 LONG	2
31	400390	NUT - 5/16-18 FLANGE LOCK	6
32	311109	ASSY - STEERING TUBE	1
33	400464	NUT - 7/8-14 NYLOK JAM	1
34	311113	ASSY - STEERING BRG MOUNT	1
35	309618	BEARING - STEERING 205PP	1
36	309619	RING - RETAINING 5100-98	1
37	400035	BOLT - 5/16-18 X 1.0 LONG	4
38	400384	WASHER - 5/16 CONICAL	4
40	Supplied w/ #26	CUSHION	1
41	318220	WHEEL - STEERING	1
	Supplied w/ #26	NUT	1
	Supplied w/ #41	CAP - STEERING WHEEL	1

STEERING GROUP (CONT.)

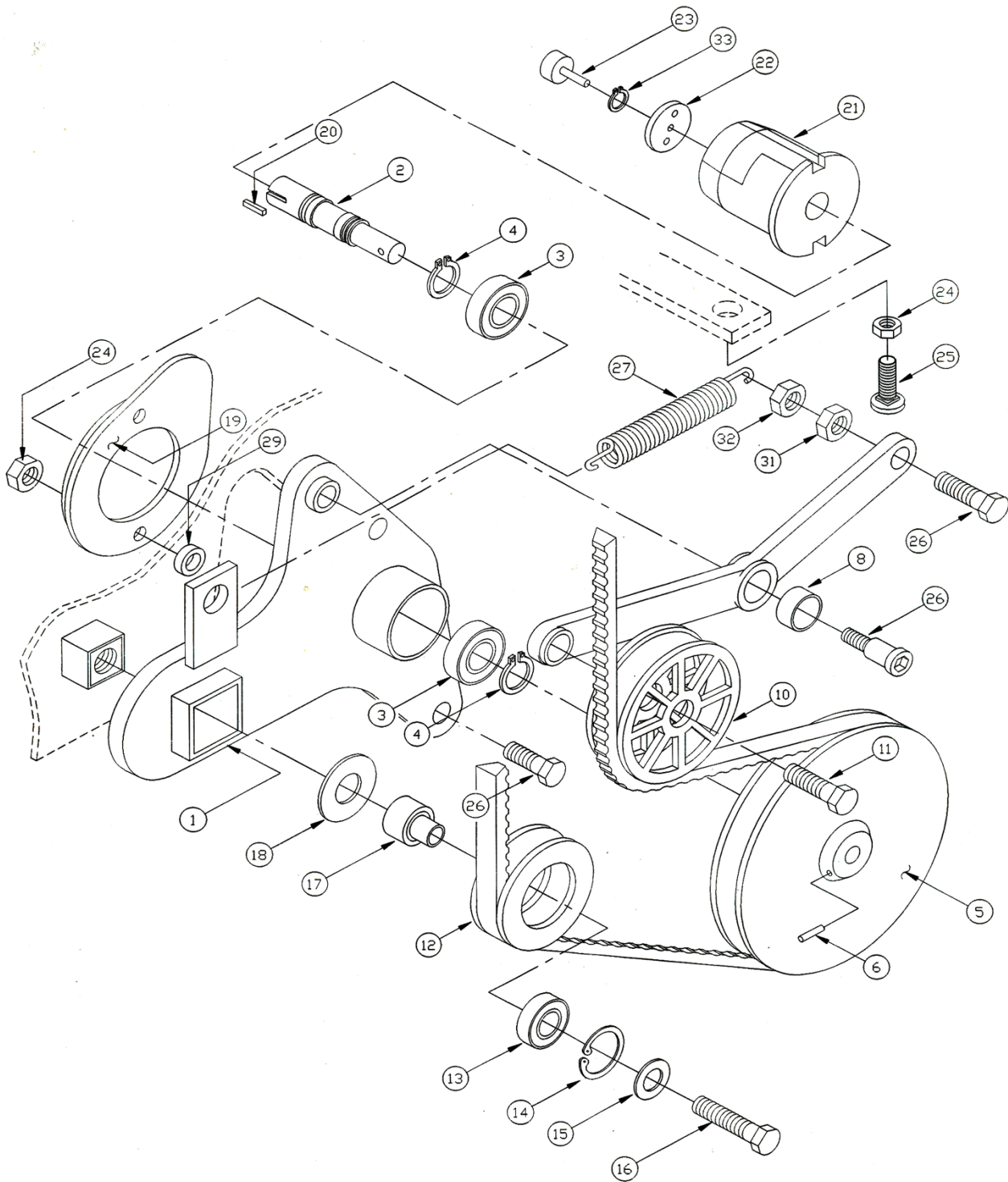


040PB001

MAIN BROOM GROUP

REF. #	PART NUMBER	DESCRIPTION OF PART	QTY. USED
1	311154	ASSY - MAIN BROOM PIVOT TUBE	1
2	311161	ASSY - MAIN BROOM TUBE BRG MOUNT	2
3	311147	ASSY - BROOM IDLER PLATE	1
4	311022	BUSHING - MAIN BROOM	2
5	400030	BOLT - 3/8-16 X 1.0 LONG	7
6	SEE NEXT PAGE	MAIN BROOM - 36" (ALL OPTIONAL)	1
7	400392	NUT - FLANGE 3/8-16	7
8	311160	ANGLE - MAIN BROOM BEARING MOUNT	1
9	400081	NUT - NYLOK 1/4-20	4
10	306246	RING - SEAL RETAINER	1
11	301386	SEAL - DUST	1
12	400385	WASHER - 3/8 CONICAL	6
13	400069	NUT - 5/16-24	2
14	400184	PIN - CLEVIS 5/16 X 1.12 LONG	2
15	301051	HUB - BROOM IDLER	1
16	311013	WASHER - MAIN BROOM RETAINER	1
17	300469	BEARING - 205PP	1
18	300475	RING - RETAINER INTERNAL	1
19	400091	WASHER - FENDER 1/2	1
20	400022	BOLT - 1/2-13 X 1.25 LONG	1
21	311166	ROD - MAIN BROOM LIFT	1
22	307642	CLEVIS - 5/16-24	2
23	400125	RING - RUE 3/8	2
	311167	ASSY - BROOM LIFT PIVOT	1
25	311172	ROD - PIVOT RETAINER	1
26	300548	RING - RETAINING EXT.	2
27	400042	BOLT - 1/4-20 X .75 LONG	4
28	311424	SEAL - MAIN BROOM LEVER	1
29	311425	RETAINER - MAIN BROOM LEVER SEAL	1
30	400035	BOLT - 5/16-18 X 1.0 LONG	2
31	301440	SPACER - MAIN BROOM	1
32	311344	KNOB - MAIN BROOM ADJUSTMENT LOCK	1
33	311370	KNOB - MAIN BROOM ADJUSTMENT	1
34	311164	ASSY - LEVER BROOM LIFT	1
35	400384	WASHER - 5/16 CONICAL	2
36	400390	NUT - 5/16-18 FLANGE	2
37	300558	HANDLE	1
38	311426	SPACER - MAIN BROOM LIFT	2

MAIN BROOM GROUP (Continued)



090PB002



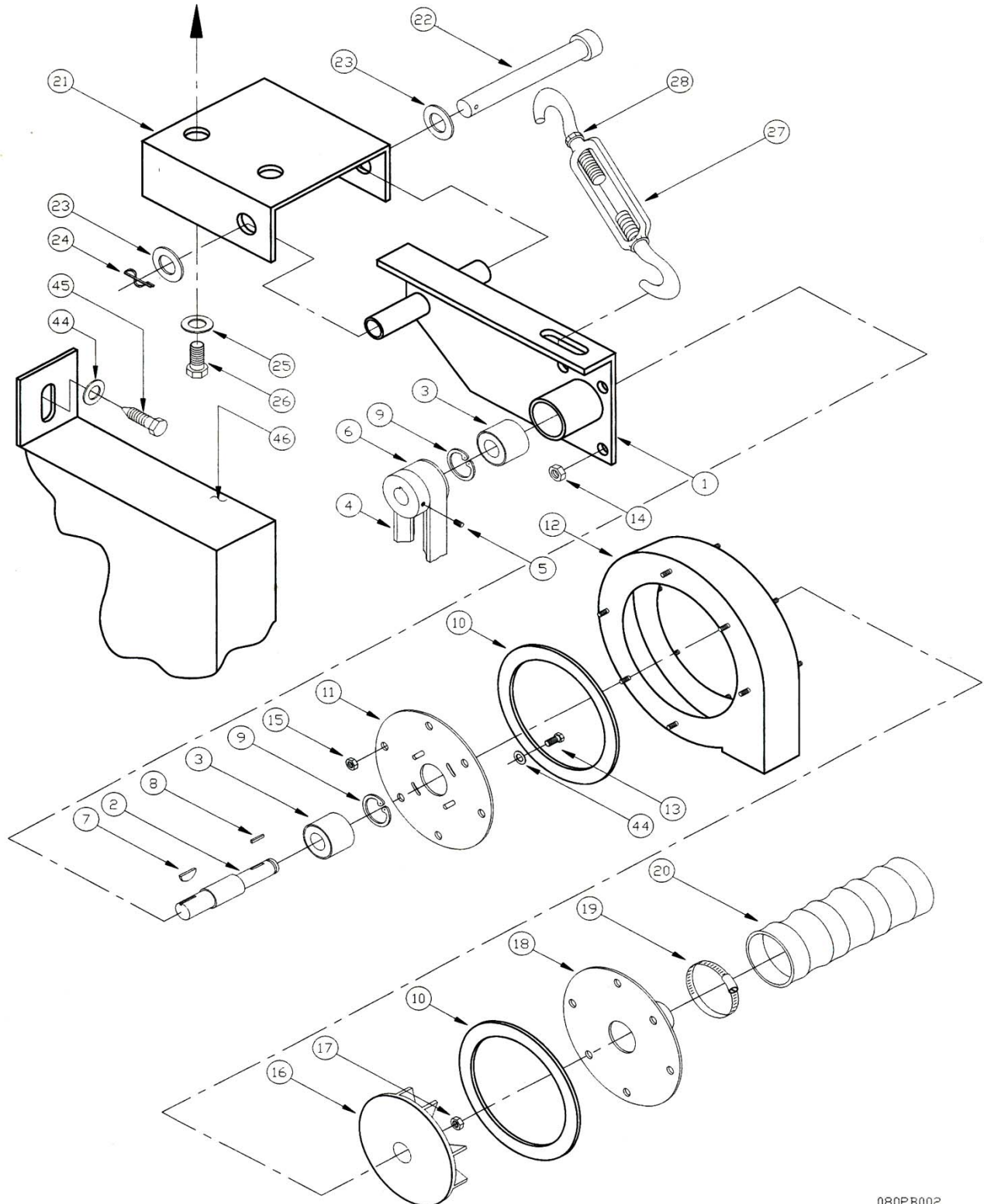
STEERING GROUP (CONT.)

REF. #	PART NUMBER	DESCRIPTION OF PART	QTY. USED
1	311001	TRANSMISSION - SW62	1
2	400463	BOLT - HEX 12 MM 1.75 PITCH X 25 MM LG	6
3	311840	ASSY - ARM STEERING FORK	1
4	311119	PLATE - STEERING ARM RETAINER	2
5	400228	BOLT - 5/16-24 X 1.5 LONG	6
6	400420	NUT - 5/16-24 NYLOK	6
7	311539	ASSY - STEERING ROD	1
8	400188	NUT - 1/2-20 ELASTIC JAM	2
9	400313	NUT - 11/16-18	1
10	300466	BALL JOINT - STEERING	1
11	311831	MOTOR - DRIVE 36 VOLT	1
12	311269	PLATE - ADAPTER DRIVE MOTOR	1
13	400101	WASHER - LOCK 3/8	4
14	400029	BOLT - 3/8-16 X 1.25 LONG	4
	311661	SEALANT - SILICONE	As Required
16	312121	KEY - WOODRUFF #505	1
17	Supplied w/ #1	GEAR	1
18	400317	NUT - 1/2-13 NYLOK JAM	1
19	400102	WASHER - LOCK 5/16	5
20	400471	BOLT - 5/16-18 X 3.25 LONG	2
21	400466	BOLT - 5/16-18 X 2.5 LONG	1
22	311095	RIM - REAR	1
23	311002	TIRE - SOLID PRESS-ON 12.12 ID	1
24	311562	NUT - WHEEL LUG 14MM	5
25	311569	OIL - GEAR 80W90	Approx. 3.25 qts.
26	311771	STEERING GEAR - PURCHASED	1
27	400023	BOLT - 1/2-13 X 1.25 LONG	3
28	300228	BRACKET	1
29	400078	NUT - 1/2-13 ELASTIC LOCK	3
30	400036	BOLT - 5/16-18 X .75 LONG	2
31	400390	NUT - 5/16-18 FLANGE LOCK	6
32	311109	ASSY - STEERING TUBE	1
33	400464	NUT - 7/8-14 NYLOK JAM	1
34	311113	ASSY - STEERING BRG MOUNT	1
35	309618	BEARING - STEERING 205PP	1
36	309619	RING - RETAINING 5100-98	1
37	400035	BOLT - 5/16-18 X 1.0 LONG	4
38	400384	WASHER - 5/16 CONICAL	4
40	Supplied w/ #26	CUSHION	1
41	318220	WHEEL - STEERING	1
	Supplied w/ #26	NUT	1
	Supplied w/ #41	CAP - STEERING WHEEL	1



IMPELLER GROUP

- TSS Model Only -



080PB002

MAIN BROOM GROUP (Continued)

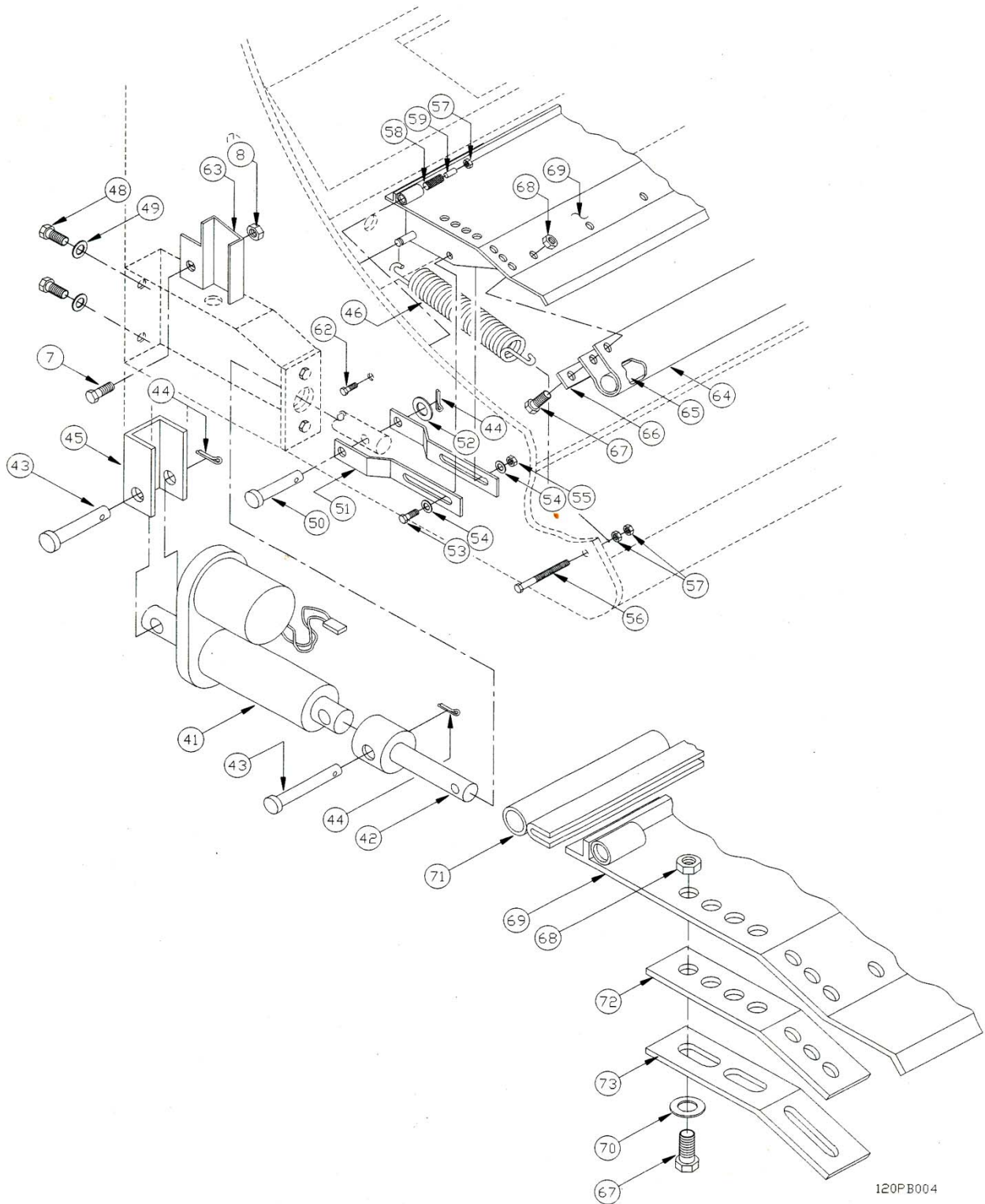
REF. #	PART NUMBER	DESCRIPTION OF PART	QTY. USED
1	311134	ASSY - MAIN BROOM DRIVE ARM	1
2	311143	SHAFT - MAIN BROOM DRIVE	1
3	300469	BEARING - 205PP	2
4	311032	RING - RETAINING TRUARC 5160-98	2
5	311037	PULLEY - MAIN BROOM DRIVE	1
6	400461	PIN - ROLL 7/32 X 1.5 LONG	1
	311149	ARM - TENSION MAIN BROOM	1
8	311159	BUSHING - BRONZE	1
	311122	BOLT - SHOULDER 1/2 DIA X .75 LONG	1
10	311028	PULLEY - IDLER MAIN BROOM	1
11	400029	BOLT - 3/8-16 X 1.5 LONG	1
12	311025	PULLEY - MAIN BROOM PIVOT	1
13	311023	BEARING - 203PP	1
14	311024	RING - RETAINING TRUARC N5000-156	1
15	400087	WASHER - 3/8 FLAT	1
16	400031	BOLT - 3/8-16 X 2 LONG	1
17	311026	SPACER	1
18	311013	WASHER - MAIN BROOM RETAINER	1
19	311144	ASSY - MAIN BROOM SIDE SHIELD WELDED	1
20	301718	KEY - 1/4 SQ X .88 LONG	1
21	301050	HUB - DRIVE	1
22	301285	PLATE - RETAINER DRIVE HUB	1
23	400049	BOLT - 1/4-20 X .75	3
24	400068	NUT - 3/8-16	4
25	400355	SCREW - LEVEL BOLT 3/8-16 X 2.5 LONG	1
26	400028	BOLT - 3/8-16 X 1.5 LONG	3
27	311033	SPRING	1
28	311324	BELT - 3VX-510	1
29	311146	SPACER - MAIN BROOM DRIVE	2
	400385	WASHER - CONICAL 3/8	2
31	400070	NUT - 5/16-18	1
32	400080	NUT - 5/16-18 ELASTIC STOP	1
33	400103	WASHER - LOCK 1/4	3
MAIN BROOMS: Choose one from the following:			
	300302	PROEX & WIRE MAIN BROOM 36"	1
	300304	HIGH DENSITY NYLON MAIN BROOM 36"	1
	300312	POLY PROEX MAIN BROOM 36"	1
	300314	NYLON MAIN BROOM 36"	1
	300316	PATROL (HERRINGBONE) MAIN BROOM 36"	1
	300320	HIGH DENSITY NATURAL FIBRE & WIRE MAIN BROOM 36"1	1



HOPPER GROUP (Continued)

REF. #	PART NUMBER	DESCRIPTION OF PART	QTY. USED
45	311822	ASSY - HOPPER DOOR ACTUATOR MOUNT	1
46	301520	SPRING	1
48	400036	BOLT - 5/16-18 X .75 LONG	2
49	400384	WASHER - CONICAL 5/16	2
50	400487	PIN - CLEVIS 1/2 X 1.25 LONG	1
51	311767	LINK - HOPPER DOOR	2
52	400387	WASHER - 1/2 CONICAL	1
53	400034	BOLT - 5/16-18 X 1.25 LONG	1
54	400088	WASHER - FLAT 5/16	2
55	400080	NUT - 5/16-18 NYLOCK	1
56	400029	BOLT - 18-16 X 1.25	1
57	400079	NUT - 3/8-16 NYLOCK	4
58	311826	BEARING - FIBERGLIDE	2
59	311825	SLEEVE - HOPPER DOOR BEARING	2
62	400031	BOLT - 3/8-16 X 2.0 LONG	2
63	312097	COVER - WIRING HARNESS	1
64	311764	SEAL - HOPPER LOWER SEAL	1
65	311992	SEAL - HOPPER CORD	1
66	311765	RETAINER - HOPPER DOOR LOWER SEAL	1
67	400147	SCREW - #10-24 X .75 LONG	19
68	400399	NUT - #10-24 NYLOCK	19
69	311755	ASSY - HOPPER DUMP DOOR	1
70	400095	WASHER - #10 FLAT	14
71	312098	EDGING - HOPPER DUMP DOOR	1
72	311762	SEAL - HOPPER DOOR SIDE	2
73	311763	RETAINER - HOPPER DOOR SIDE SEAL	2

HOPPER GROUP (Continued)



120PB004

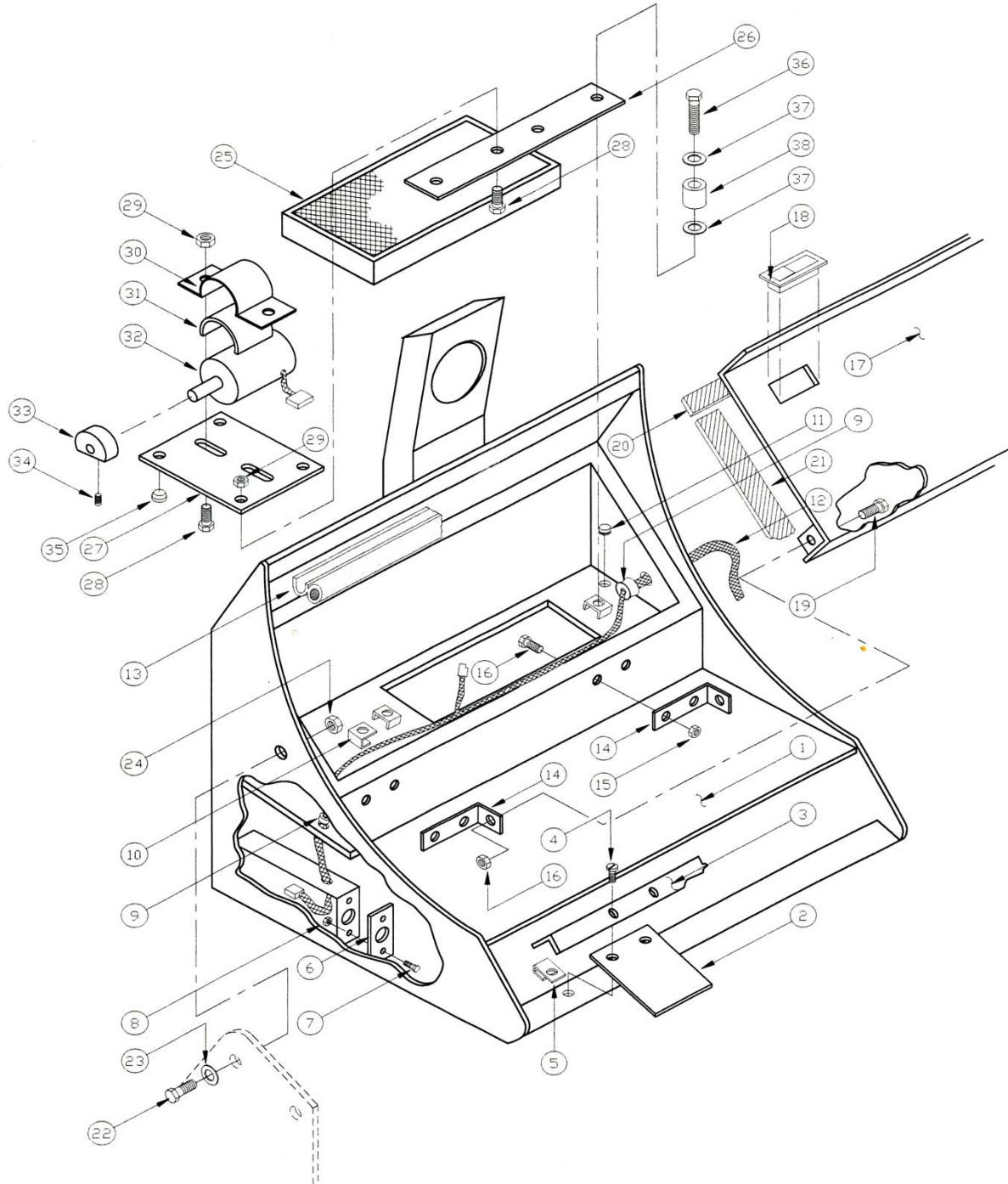


HOPPER GROUP

REF. #	PART NUMBER	DESCRIPTION OF PART	QTY. USED
1	311470	ASSY - HOPPER TSS62	1
2	311237	FLAP - HOPPER LIP	4
3	312092	ANGLE - HOPPER FLAP RETAINER	1
4	400059	SCREW - TRUSS HD 1/4-20 X .75 SS	8
5	301146	CLIP NUT - 1/4-20	8
6	311821	BUSHING - HOPPER DOOR ROD	1
7	400040	BOLT - 1/4-20 X 1.0 LONG	2
8	400081	NUT - ES 1/4-20	2
9	301665	GROMMET	3
10	301155	CLIPNUT - 5/16-18	2
11	302236	PLUG	1
12	312167	WIRING HARNESS - HOPPER	1
13	312096	EDGING - HOPPER FRONT	1
14	311689	HINGE - FILTER COVER	2
15	400063	NUT - FLANGE 1/4-20	4
16	400042	BOLT - 1/4-20 X .75 LONG	2
17	311686	ASSY - FILTER COVER	1
18	300380	ASSY - LATCH	2
19	400052	BOLT - SHOULDER 5/16 DIA X .25 LONG	2
20	312101	GASKET - FILTER COVER LONG	2
21	312102	GASKET - FILTER COVER SHORT	2
22	400030	BOLT - 3/8-16 X 1.0 LONG	6
23	400385	WASHER - CONICAL 3/8	6
24	400392	NUT - FLANGE 3/8-16	6
25	305645	FILTER - DUST CONTROL	1
26	301674	RETAINER - FILTER	1
27	312083	PLATE - FILTER SHAKER	1
28	400009	BOLT - CARRIAGE 5/16-18 X 1.0 LONG	2
29	400390	NUT - FLANGE LOCK 5/16-18	2
30	300915	RETAINER - SHAKER MOTOR	1
31	300904	MOUNT - NEOPRENE SHAKER MOTOR	1
32	305001	MOTOR - SHAKER FILTER 36V	1
33	301053	WEIGHT - ECCENTRIC	1
34	400055	SCREW - SET #10-24 X .31 LONG	1
35	300526	BUMPER - RUBBER	4
36	400467	BOLT - 5/16-18 X 3.0 LONG	2
37	400384	WASHER - 5/16 CONICAL SPRING	4
38	307850	ISOLATOR - HOPPER FILTER	2
41	308196	ACTUATOR - 4-IN. STROKE 36VDC	1
42	311820	ROD - HOPPER DOOR ACTUATOR	1
43	308225	PIN - CLEVIS 1/2 X 2	2
44	400121	PIN - COTTER 5/32 X 1.50	3

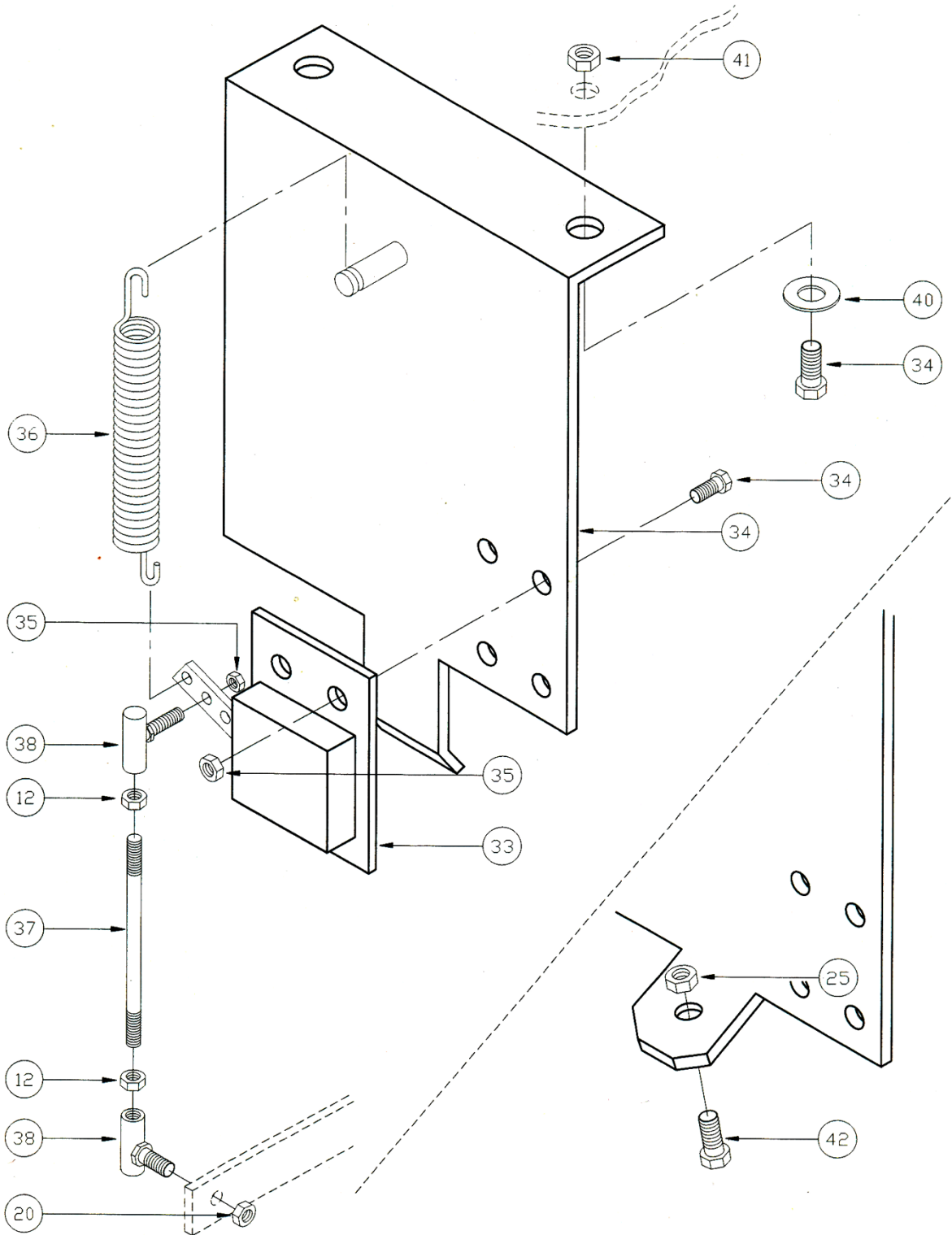
HOPPER GROUP

- TSS Model Only -



120PB003

POTENTIOMETER MOUNTING GROUP



070PB002



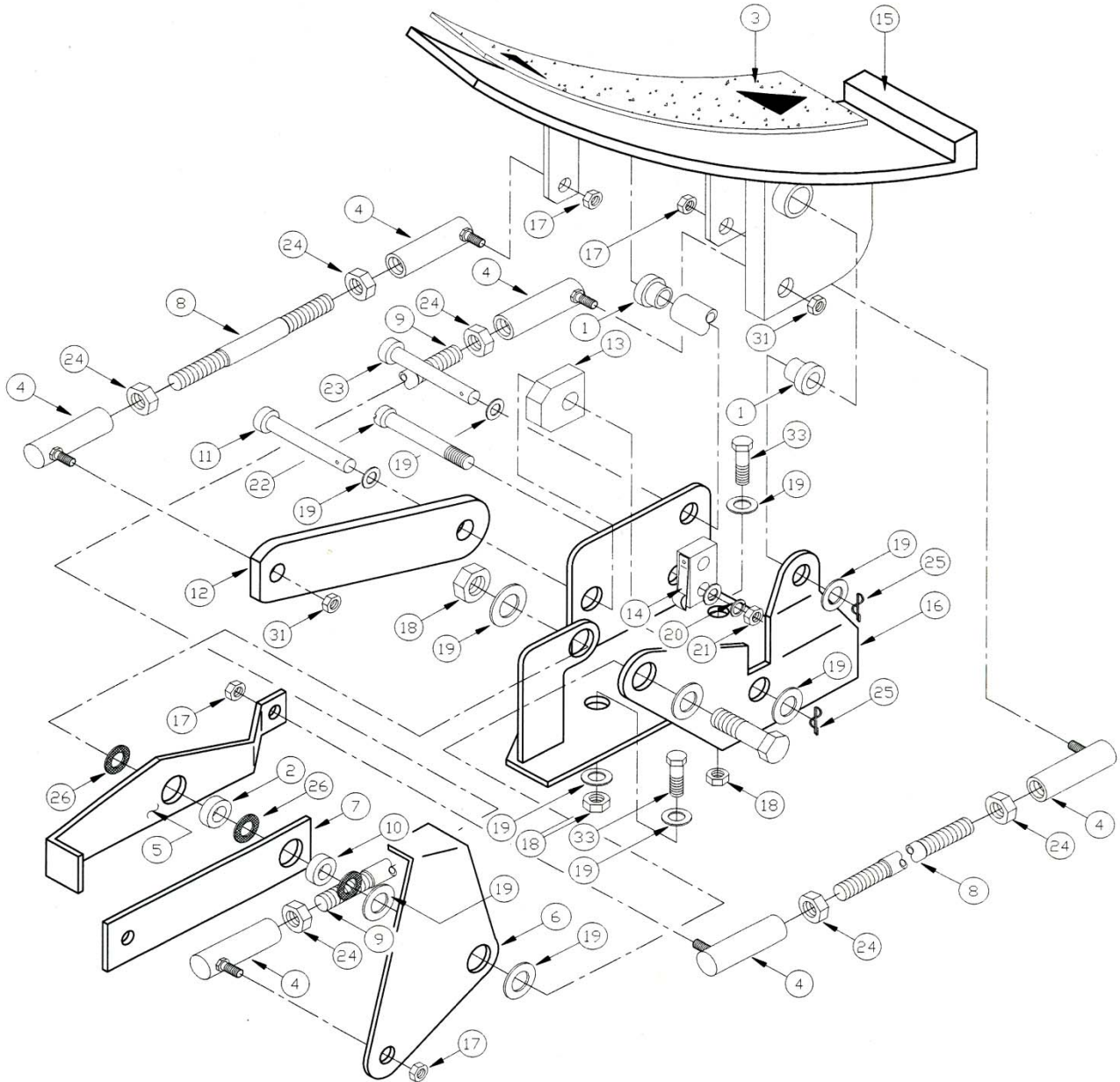
POTENTIOMETER MOUNTING GROUP

REF. #	PART NUMBER	DESCRIPTION OF PART	QTY. USED
12	400180	NUT - 1/4-28	2
20	400373	NUT - ES 1/4-28	1
25	400068	NUT - 3/8-16	1
31	400392	NUT - FLANGE 3/8-16	1
32	311942	ASSY - MOUNT POTENTIOMETER	1
33	311017	POTENTIOMETER BOX	1
34	400204	SCREW - #10-32 X .625 LONG	4
35	400172	NUT - ES #10-32	5
36	311439	SPRING	1
37	311975	ROD - FOOT PEDAL	1
38	311737	BALL JOINT - 1/4 TO 3/16	2
39	400042	BOLT - 1/4-20 X .75	2
40	400383	WASHER - CONICAL 1/4	2
41	400063	FLANGE NUT - 1/4-20	2
42	400029	BOLT - 3/8-16 X 1.25 LONG	1

DIRECTIONAL CONTROL GROUP

REF. #	PART NUMBER	DESCRIPTION OF PART	QTY. USED
1	300414	BUSHING - PLASTIC MAIN BROOM	2
2	300431	BUSHING - .499 ID X .594 OD	3
3	300544	PAD - FOOT PEDAL	1
4	301199	BALL JOINT - 1/4-28	7
5	311283	ARM - DIR CONTROL FWD PLTD	1
6	311284	ARM - DIR CONTROL REV PLTD	1
7	311285	ARM - DIR CONTROL CENTER PLTD	1
8	311290	ROD - PEDAL TOP ZP	2
9	311291	ROD - PEDAL BOTTOM ZP	1
10	311297	SPACER - DIRECTIONAL CONTROL PLTD	2
11	312595	SHAFT - CAM PEDAL TSS/62/65	1
12	312596	ARM - FOOTPEDAL TSS/62/65	1
13	312597	CAM - FOOTPEDAL TSS/CSS/62/65	3
14	312603	SWITCH - SEALED ROLLER	3
15	312609	ASSY - FOOTPEDAL	1
16	312607	ASSY - BASE PEDAL WELD TSS/CSS/62/65	1
17	400063	NUT - FLANGE LOCK 1/4-20 ZP	2
18	400079	NUT - HEX 3/8-16 ES ZP	1
19	400087	WASHER - FLAT 3/8 STANDARD ZP	12
20	400469	WASHER - LOCK #6 SPLIT ZP	2
21	400299	NUT - HEX #6-32 ZP	2
22	400612	SCREW - TRUSS MACH #6-32 X 2.50 ZP	2
23	400114	PIN - CLEVIS 3/8 X 4.00 ZP	1
24	400180	NUT - HEX 1/4-28 ZP	6
25	400125	PIN - COTTER 3/8 RUE-RING	1
26	400178	BRG - THRUST .531 ID X 1.00 OD	6
	309350	TERMINAL - MALE SPADE ARMA IGN (use with 312603)	9
	311941	LATCH - FLEXIBLE T-HANDLE (use in Floor Pan)	1
	312091	EDGING - FLOOR PAN (use with Floor Pan)	1
	400055	SCREW - SET, #10-24 X .31 ZP (use in Floor Pan)	2
31	400373	NUT - HEX JAM 1/4-28 ES ZP (use with Pedal Rods)	5
32	400434	SCREW - HEX, 3/8-16 X 2.50 ZP (Pedal Stop Bolt)	1
33	400029	SCREW - HEX, 3/8-16 X 1.25 ZP	2

DIRECTIONAL CONTROL GROUP



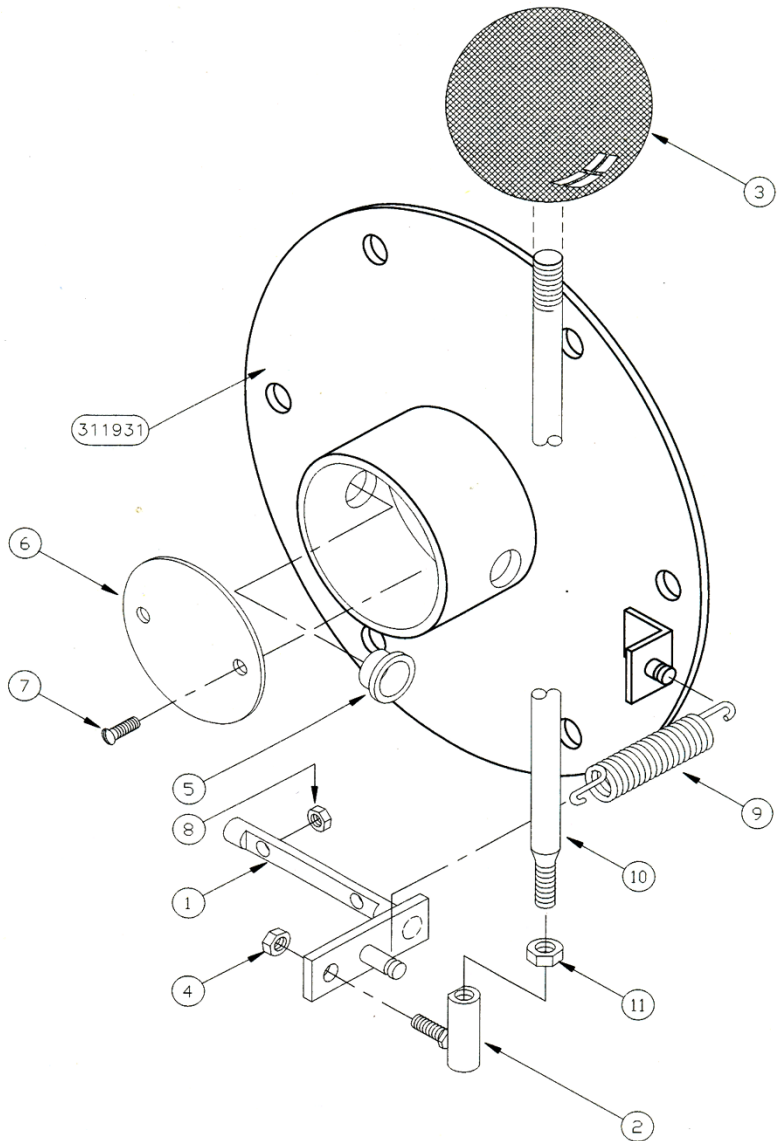
060PB001

GASKET MOUNT ASSEMBLY

REF. #	PART NUMBER	DESCRIPTION OF PART	QTY. USED
1	311934	ASSY - BAFFLE ROD	1
2	301199	BALL JOINT 1/4	1
3	300563	KNOB - AIR SHUTOFF	1
4	400373	NUT - 1/4-28 ELASTIC STOP	1
5	300414	BUSHING - NYLON	2
6	304103	DAMPER PLATE	1
7	400045	SCREW - #8-32 X 5/8 LONG	2
8	400082	NUT - #8-32 ELASTIC STOP	2
9	304160	SPRING	1
10	307173	ROD - BAFFLE IMPELLER	1
11	400180	NUT - 1/4-28	1

GASKET MOUNT ASSEMBLY

- TSS Model Only -



080PB003



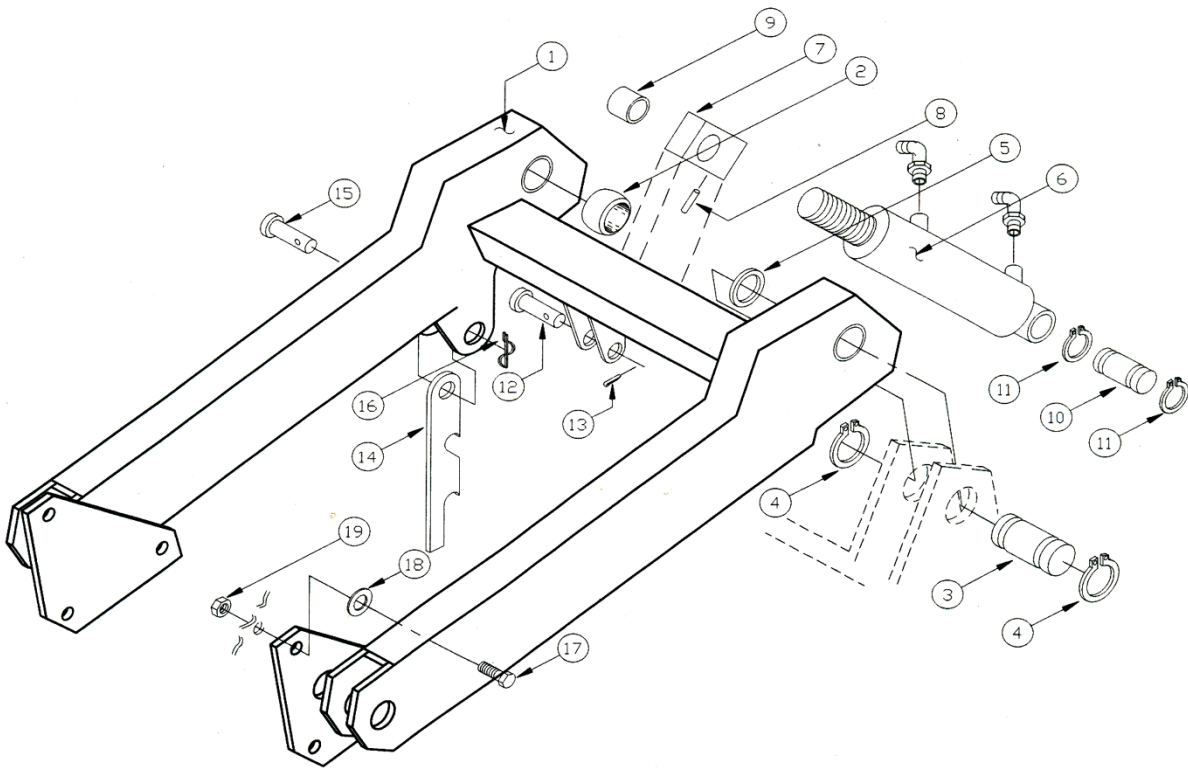
IMPELLER GROUP

REF. #	PART NUMBER	DESCRIPTION OF PART	QTY. USED
1	311257	ASSY - IMPELLER MOUNT	1
2	311249	SHAFT - IMPELLER	1
3	311023	BEARING - 203PP	2
4	305641	BELT - IMPELLER	1
5	400054	SCREW - SET 1/4-20 X .25	2
6	311129	PULLEY - IMPELLER DRIVE	1
7	400465	KEY - WOODRUFF #404	1
8	300344	KEY - SQUARE 1/8 X .75 LONG	1
9	311024	RING - RETAINING N5000-156	1
10	304183	GASKET - IMPELLER	2
11	311261	PLATE - IMPELLER HOUSING COVER	1
12	307004	SHROUD - IMPELLER	1
13	400042	BOLT - 1/4-20 X .75	4
14	400063	NUT - 1/4-20 FLANGE LOCK	4
15	400081	NUT - 1/4-20 NYLON LOCK	12
16	304002	IMPELLER	1
17	400317	NUT - 1/2-20 NYLOK JAM	1
18	311931	ASSY - IMPELLER COVER	1
19	311948	CLAMP - HOSE IMPELLER NYLON 4"	2
20	311980	HOSE - IMPELLER	1
21	311260	MOUNT - IMPELLER ARM PIVOT	1
22	307794	PIN - CLEVIS 1/2 DIA X 4.5 LONG	1
23	400086	WASHER - FLAT 1/2	2
24	400124	RING - RUE 5/8	1
25	400087	WASHER - FLAT 3/8	2
26	400030	BOLT - 3/8-16 X 1.0 LONG	2
27	311660	TURNBUCKLE - HOOK & HOOK	1
28	400080	NUT - 5/16-18	3
44	400383	WASHER - 1/4 FLAT	7
45	311374	SCREW - 1/4 SELF TAPPING	3
46	311246	GUARD - BELT PNTD	1

LIFT ARM GROUP

REF. #	PART NUMBER	DESCRIPTION OF PART	QTY. USED
1	311533	ASSY - LIFT ARM TSS/62 WELDED	1
2	311029	BEARING - SPHERICAL	2
3	311197	PIN - UPPER LIFT ARM	2
4	311379	RING - RETAINING 5160-175	4
5	311295	WASHER - SPACER LIFT PINS	4
6	307243	CYLINDER - LIFT	1
7	312119	BLOCK - CYLINDER END	1
8	400054	SCREW - SET 1/4-20 X .25 LONG	1
9	300552	BUSHING - 1.00-IN I.D. X 1.50 LONG	1
10	307408	PIN - CYLINDER MOUNT	1
11	307431	RING - RETAINING 5100-125	2
12	400472	PIN - CLEVIS 1 X 3	1
13	400120	PIN - COTTER 5/32 X 2.0 LONG	1
14	312016	ARM - SAFETY	1
15	400462	PIN - CLEVIS 5/18 X 1.25 LONG	1
16	400124	RING - RUE RETAINING	1
17	400030	BOLT - 3/8-16 X 1.0 LONG	6
18	400385	WASHER - CONICAL 3/8	6
19	400392	NUT - FLANGE 3/8-16	6

LIFT ARM GROUP



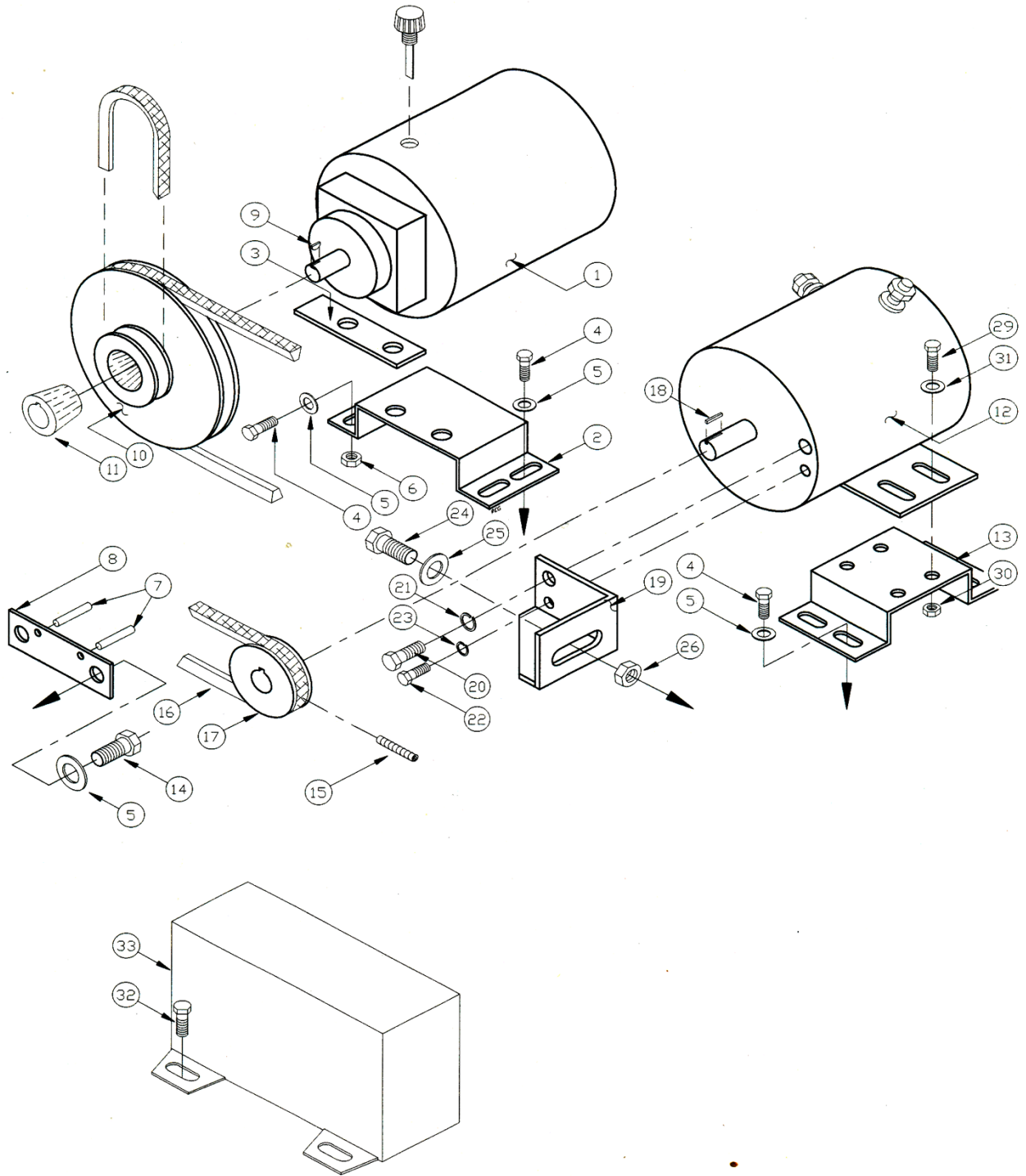
022PB001

AUXILIARY DRIVE GROUP

REF. #	PART NUMBER	DESCRIPTION OF PART	QTY. USED
1	311006	PUMP - HYD UNIT W/RESERVOIR	1
2	311174	ASSY - PUMP MOUNT WELDED	1
3	311319	SPACER - PUMP	1
4	400030	BOLT - 3/8-16 X 1.0 LONG	8
5	400385	WASHER - 3/8 CONICAL SPRING	10
6	400392	NUT - 3/8 FLANGE LOCK	2
7	400458	PIN - ROLL 3/16 X 1.25	2
8	311310	PLATE - BELT RETAINER	1
9(Supplied w/ #1)		KEY - WOODRUFF #404	1
10	311035	PULLEY - TAPER LOCK	1
11	311322	BUSHING - TAPER LOCK 1008	1
12	311004	MOTOR - ELECTRIC AUX	1
13	311320	PLATE - MOUNT AUX MOTOR	1
14	400032	BOLT - 3/8-16 X .75 LONG	2
15	400459	SCREW - SET 1/4-20 X .62 LONG	2
16	305641	BELT - AUX DRIVE 3VX-355	2
17	311030	PULLEY - MOTOR AUX DRIVE	1
18	400460	KEY - 1/8 X 1.5 LONG	1
19	311178	ASSY - BRACKET BELT TENSION	1
20	400032	BOLT - 3/8-16 X .75 LONG	1
21	400101	WASHER - LOCK 3/8	1
22	400042	BOLT - 1/4-20 X .75 LONG	1
23	400103	WASHER - LOCK 1/4	1
24	400019	BOLT - 1/2-13 X 2.5 LONG	1
25	400086	WASHER - FLAT 1/2	1
26	400065	NUT - 1/2-13	1
29	400035	BOLT - 5/16-18 X 1.0 LONG	4
30	400390	NUT - 5/16-18 FLANGE	4
31	400384	WASHER - 5/16 CONICAL SPRING	4
32	311374	SCREW - 1/4 - 14 X .75 SELF-TAPPING	2
33	312398	BELT GUARD	1

AUXILIARY DRIVE GROUP

- CSS Model Only -



130PB002

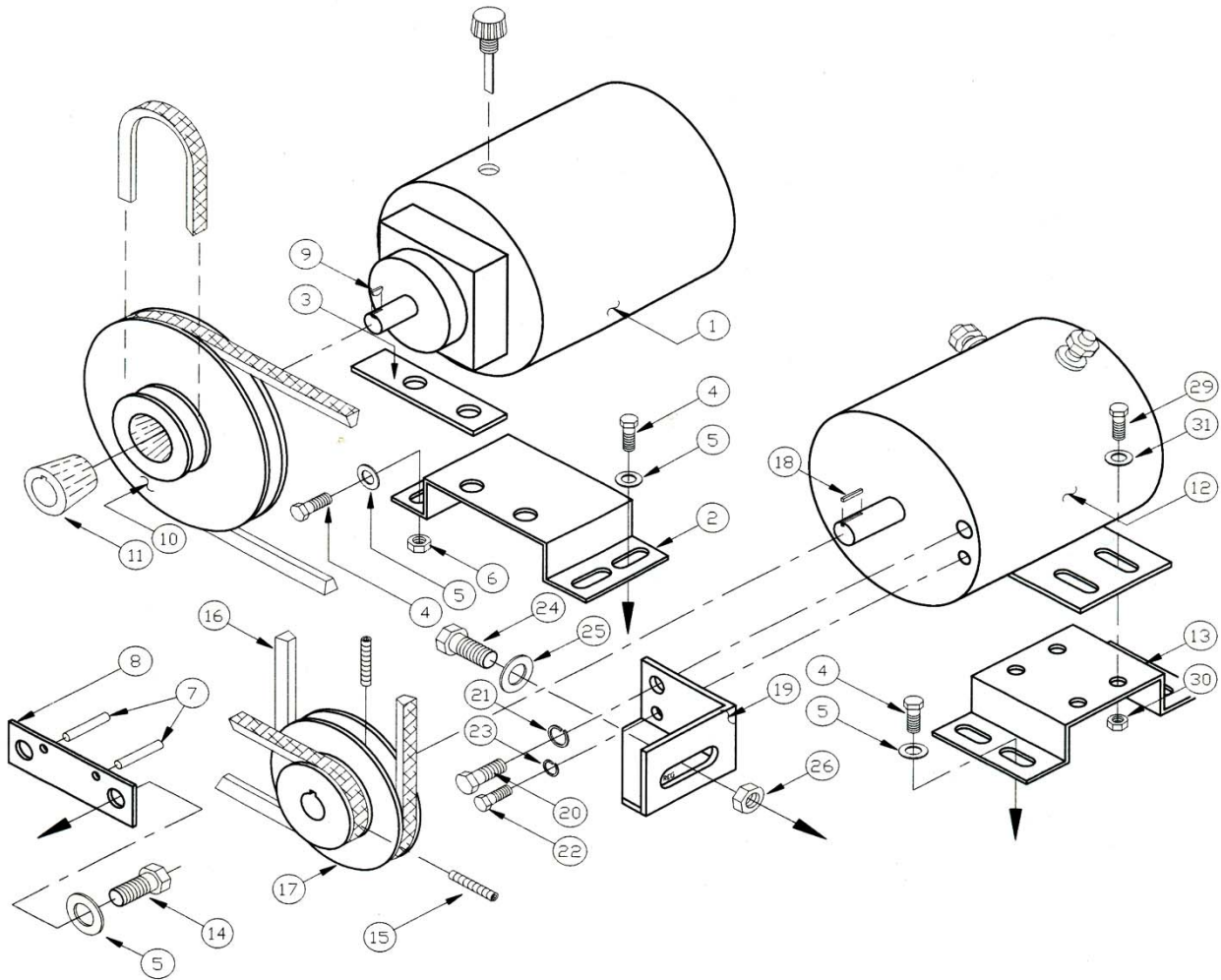


AUXILIARY DRIVE GROUP

REF. #	PART NUMBER	DESCRIPTION OF PART	QTY. USED
1	311006	PUMP - HYD UNIT W/RESERVOIR	1
2	311174	ASSY - PUMP MOUNT WELDED	1
3	311319	SPACER - PUMP	1
4	400030	BOLT - 3/8-16 X 1.0 LONG	8
5	400385	WASHER - 3/8 CONICAL SPRING	10
6	400392	NUT - 3/8 FLANGE LOCK	2
7	400458	PIN - ROLL 3/16 X 1.25	2
8	311310	PLATE - BELT RETAINER	1
9(Supplied w/ #1)		KEY - WOODRUFF #404	1
10	311035	PULLEY - TAPER LOCK	1
11	311322	BUSHING - TAPER LOCK 1008	1
12	311004	MOTOR - ELECTRIC AUX	1
13	311320	PLATE - MOUNT AUX MOTOR	1
14	400032	BOLT - 3/8-16 X .75 LONG	2
15	400459	SCREW - SET 1/4-20 X .62 LONG	2
16	305641	BELT - AUX DRIVE 3VX-355	2
17	311030	PULLEY - MOTOR AUX DRIVE	1
18	400460	KEY - 1/8 X 1.5 LONG	1
19	311178	ASSY - BRACKET BELT TENSION	1
20	400032	BOLT - 3/8-16 X .75 LONG	1
21	400101	WASHER - LOCK 3/8	1
22	400042	BOLT - 1/4-20 X .75 LONG	1
23	400103	WASHER - LOCK 1/4	1
24	400019	BOLT - 1/2-13 X 2.5 LONG	1
25	400086	WASHER - FLAT 1/2	1
26	400065	NUT - 1/2-13	1
	400030	BOLT - 3/8-16 X 1.0 LONG	2
	400087	WASHER - FLAT 3/8	2
29	400035	BOLT - 5/16-18 X 1.0 LONG	4
30	400390	NUT - 5/16-18 FLANGE	4
31	400384	WASHER - 5/16 CONICAL SPRING	4

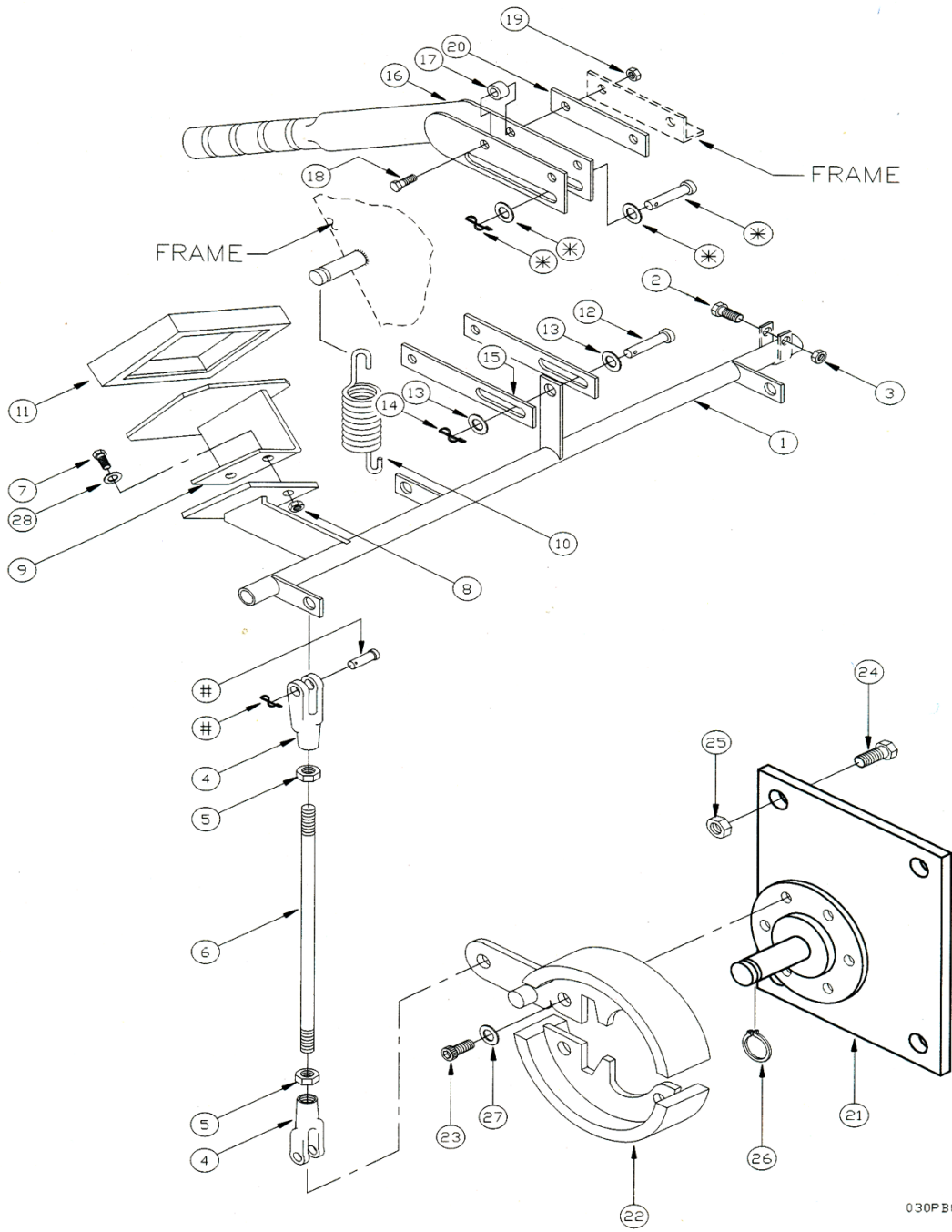
AUXILIARY DRIVE GROUP

- TSS Model Only -



130PB001

BRAKE GROUP

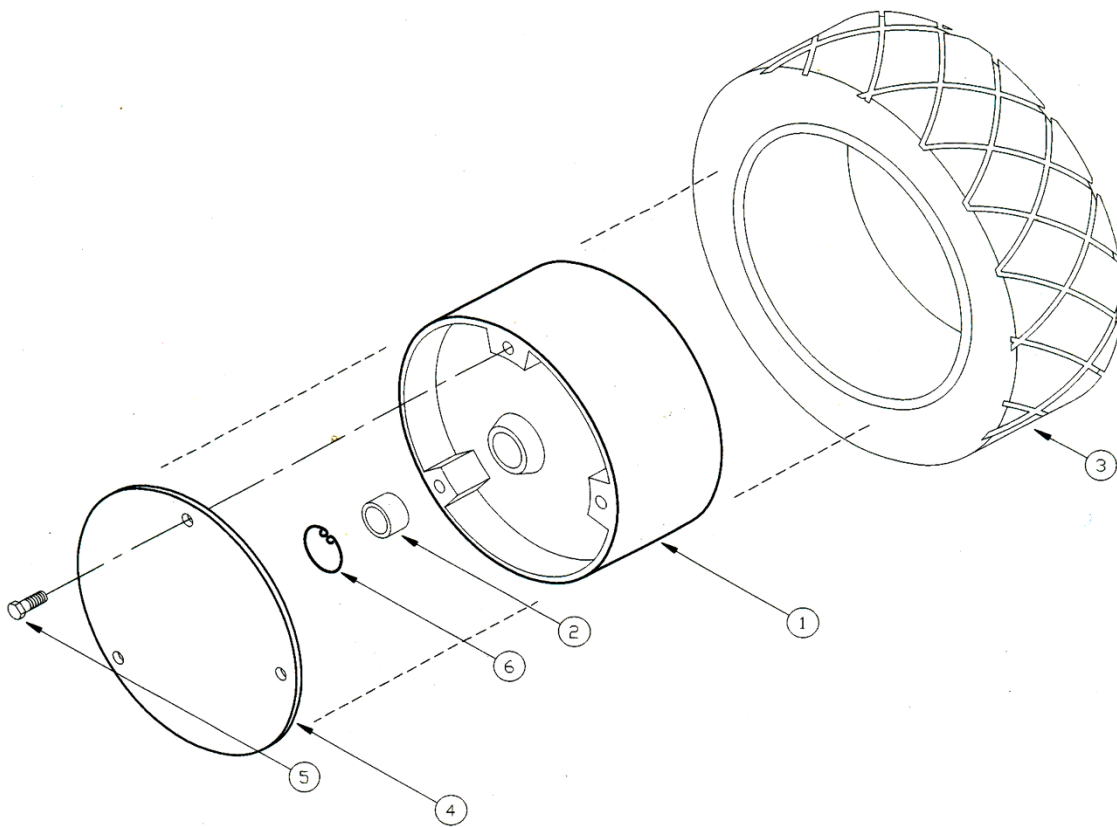


030P B002

FRONT WHEEL GROUP

REF. #	PART NUMBER	DESCRIPTION OF PART	QTY. USED
1	311094	RIM - FRONT	1
2	300469	BEARING - 205PP	2
3	311003	TIRE - PRESS ON 4 X 18 X 14 ID	1
4	311124	COVER - WHEEL	1
5	400043	BOLT - 1/4-20 X .5 LONG	3
6	302548	LOCKTITE - 242	

FRONT WHEEL GROUP



030PB001

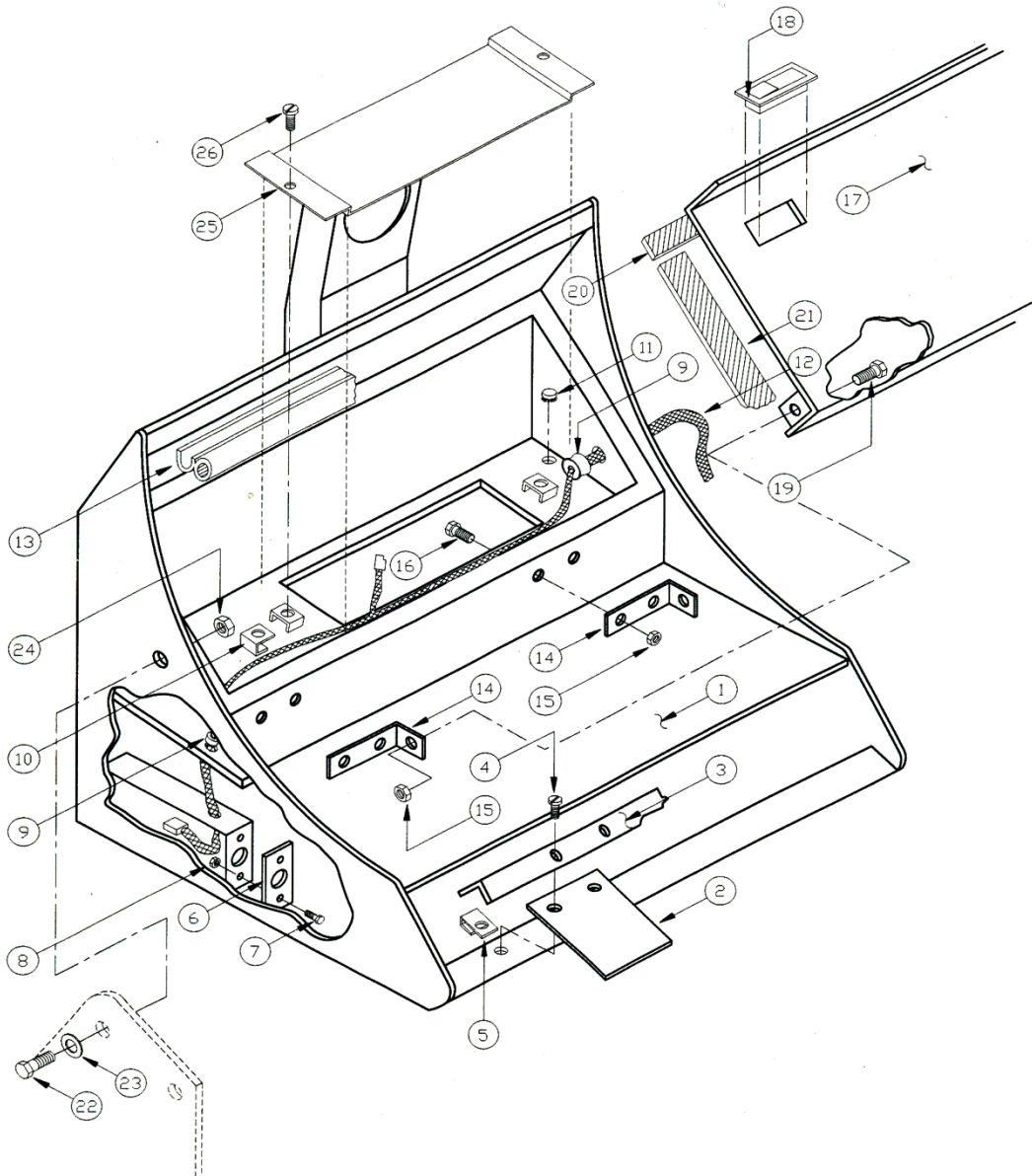


CSS HOPPER GROUP

REF. #	PART NUMBER	DESCRIPTION OF PART	QTY. USED
1	311470	ASSY - HOPPER TSS/62	1
2	311237	FLAP - HOPPER LIP	4
3	312092	ANGLE - HOPPER FLAP RETAINER	1
4	400059	SCREW - TRUSS HD 1/4-20 X .75 SS	8
5	301146	CLIP NUT - 1/4-20	8
6	311821	BUSHING - HOPPER DOOR ROD	1
7	400040	BOLT - 1/4-20 X 1.0 LONG	2
8	400081	NUT - ES 1/4-20	2
9	301665	GROMMET	3
10	301155	CLIPNUT - 5/16-18	2
11	302236	PLUG	1
12	312167	WIRING HARNESS - HOPPER	1
13	312096	EDGING - HOPPER FRONT	1
14	311689	HINGE - FILTER COVER	2
15	400063	NUT - FLANGE 1/4-20	4
16	400042	BOLT - 1/4-20 X .75 LONG	2
17	311686	ASSY - FILTER COVER	1
18	300380	ASSY - LATCH	2
19	400052	BOLT - SHOULDER 5/16 DIA X .25 LONG	2
20	312101	GASKET - FILTER COVER LONG	2
21	312102	GASKET - FILTER COVER SHORT	2
22	400030	BOLT - 3/8-16 X 1.0 LONG	6
23	400385	WASHER - CONICAL 3/8	6
24	400392	NUT - FLANGE 3/8-16	6
25	317731	PLT - FILTER COVER CSS/65	1
26	400035	SCREW - HEX, 5/16-18 X 1.00 ZP	2

HOPPER GROUP

- CSS Model Only -



120PB005



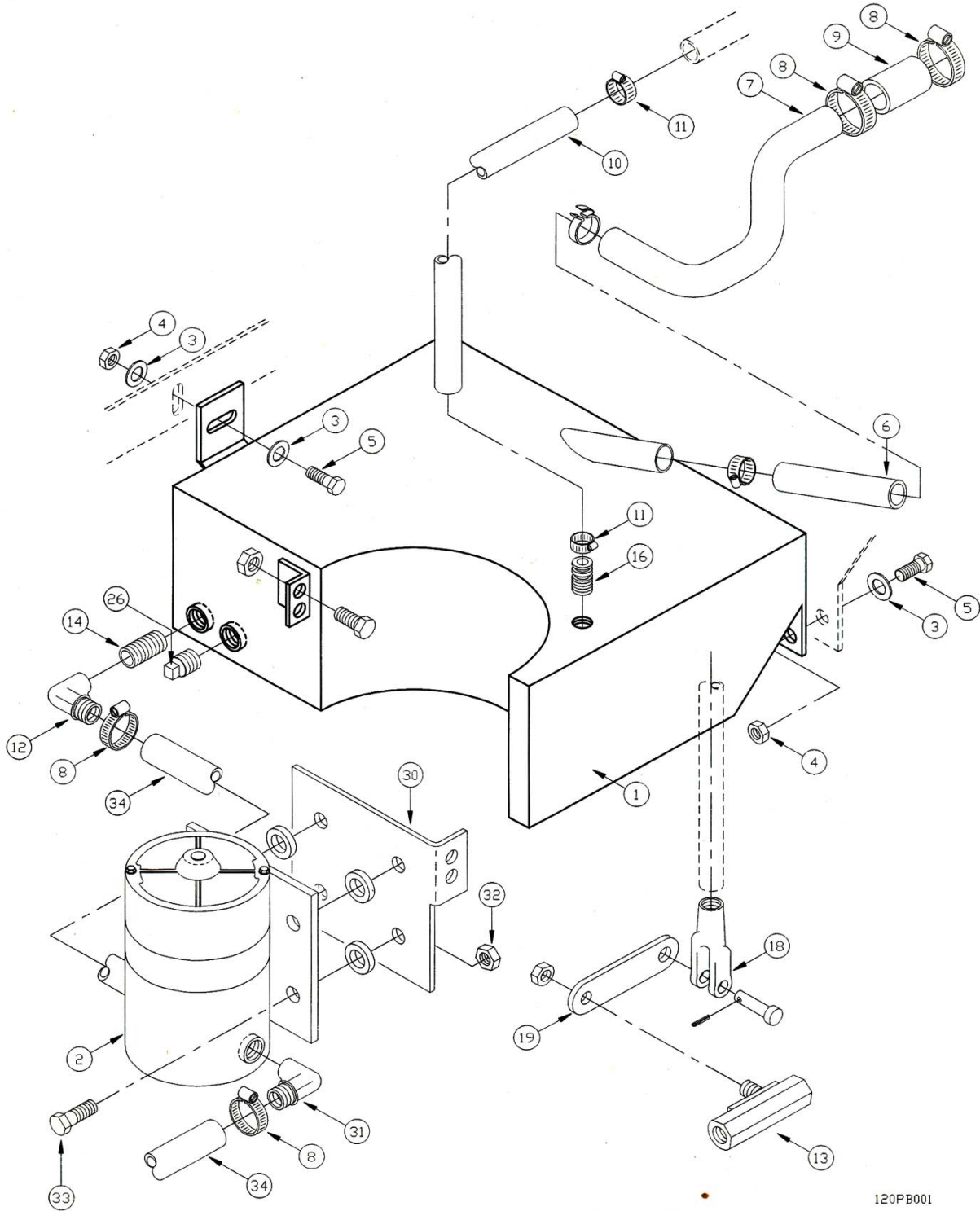
BRAKE GROUP

REF. #	PART NUMBER	DESCRIPTION OF PART	QTY. USED
1	311096	ASSY - BRAKE ARM WELDED	1
2	400039	BOLT - 1/4-20 X 2.0	2
3	400081	NUT - 1/4-20 ES	2
4	311321	CLEVIS - BRAKE ROD	4
5	400180	NUT - 1/4-28	4
6	311108	ROD - BRAKE	2
7	400042	BOLT - HEX 1/4-20 X .75 LONG	2
8	400063	NUT - 1/4-20 FLANGE LOCK	2
9	311978	ASSY - BRAKE PEDAL EXTENSION	1
10	301521	SPRING	1
11	300413	PAD - PEDAL BRAKE	1
12	400118	PIN - CLEVIS 5/16 X .875 LONG	1
13	400088	WASHER - FLAT 5/16	2
14	400125	PIN - COTTER 3/8 RUE	1
15	311102	BRAKE - BAR	2
16	303169	HAND BRAKE - PURCHASED	1
17	303551	SHIM - HAND BRAKE PLTD (.81 LONG)	2
18	400311	BOLT - 5/16-18 X 1.75	2
19	400080	NUT - 5/16-18 ES	2
20	307273	BAR - HAND BRAKE SPACER	1
21	311091	ASSY - AXLE WELDED	2
22	311011	ASSY - BRAKE	2
23	400017	BOLT - SOCKET HD 5/16-18 X .75	12
24	400029	BOLT - 3/8-16 X 1.25 LONG	8
25	400079	NUT - 1/8-16 NYLOK	8
26	311032	RING - RETAINING	2
27	400102	WASHER - LOCK 5/16	12
28	300383	WASHER - CONICAL 1/4	2

*THESE ITEMS SUPPLIED WITH ITEM #16

#THESE ITEMS SUPPLIED WITH ITEM #4

SOLUTION DELIVERY TANK GROUP

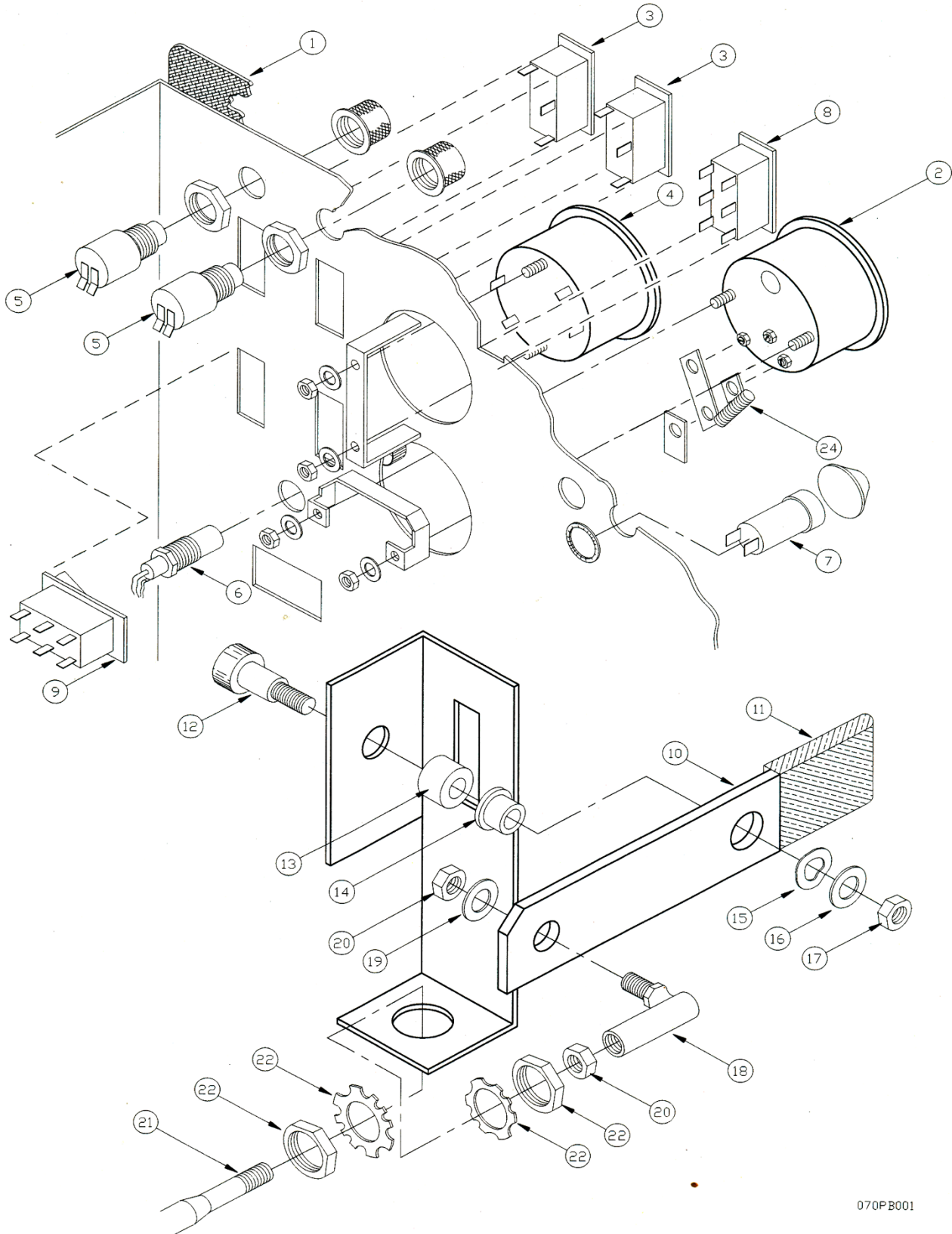


120PB001

SOLUTION DELIVERY TANK GROUP

REF. #	PART NUMBER	DESCRIPTION OF PART	QTY. USED
1	311525	ASSY - LOWER TANK WELDED	1
2	313197	PUMP - SOLUTION 36 VDC 62/65	1
3	400384	WASHER - CONICAL	6
4	400390	NUT- FLANGE LOCK 5/16-18	4
5	400036	BOLT - HEX 5/16-18 X .75 LONG	4
6	311940	TUBE - WATER INTERMEDIATE	1
7	311532	TUBE - WATER TO TANK	1
8	303255	CLAMP - HOSE 1.75 NDM	4
9	312014	TUBE - WATER SHORT	1
10	312015	HOSE - TANK VENT	1
11	302144	CLAMP - HOSE	2
12	301481	FTG - 90 DEG EL	2
13	300330	VALVE - BALL	1
14	400411	NIPPLE 3/4" CLOSE BRASS	1
16	400237	FTG - 1/4 NPT TO 1/4 BARB	1
18	311321	CLEVIS - BRAKE ROD	1
19	312159	HANDLE - VALVE	1
21	312170	BRACKET - CABLE MOUNT TANK	1
22	312160	U-BOLT	1
23	400042	BOLT - 1/4-20 X .75	2
25	400080	NUT - 5/16-18 NYLOCK	2
26	400217	PLUG - 1/2" PIPE	4
30	312411	MOUNT - PUMP SOLUTION 62/65	1
31	313198	FTG - HOSE BARB	2
32	400081	NUT - HEX 1/4-20 ES ZP	4
33	4000-0003	SCR - HHM 1/4 -20 X 1.0	4
34	313183	HOSE - SOLUTION 4.25" TSS/CSS 62	2
	305281	FTG - NIPPLE CLOSE 1/2 MPT	1
	312136	HOSE - WATER FEED MEDIUM	1
	313191	FTG - HOSE BARB 90 DEG 1/2 X 1/2 BRASS	3
	313193	WELDMENT - MOUNT VALVE 62/65	1
	313195	FTG - HOSE BARB 90 DEG 1/2 X 3/8 MPT	1
	313199	VALVE - BALL 1/2 FPT BRASS	1
	400356	FTG - PIPE PLUG 3/4 NPT SQ HEAD	1
	307829	FTG - HOSE BARB 1/2 X 3/8 MPT STRAIGHT	1

OPERATOR'S CONSOLE GROUP

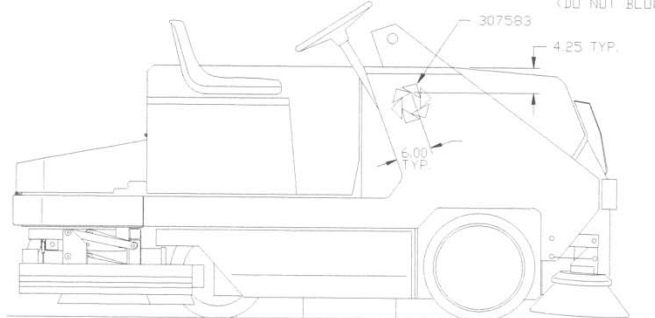
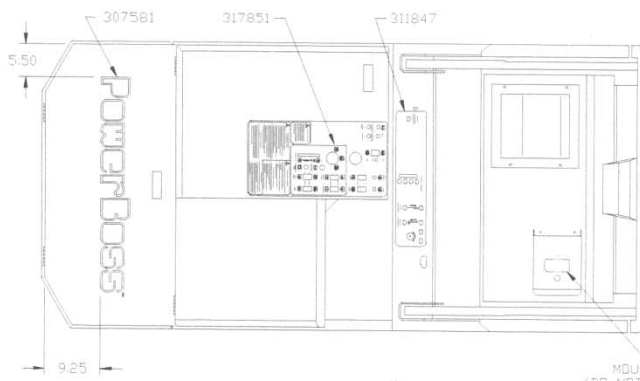
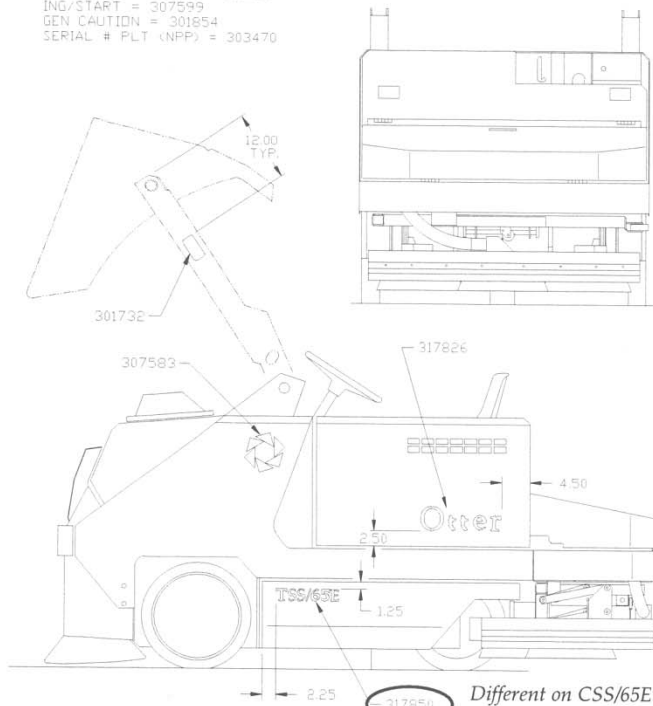


070PB001



DECAL GROUP

FAN BELT WARNING = 301730
 FAN INLET WARNING = 301729
 ING/START = 307599
 GEN CAUTION = 301854
 SERIAL # PLT (NPP) = 303470

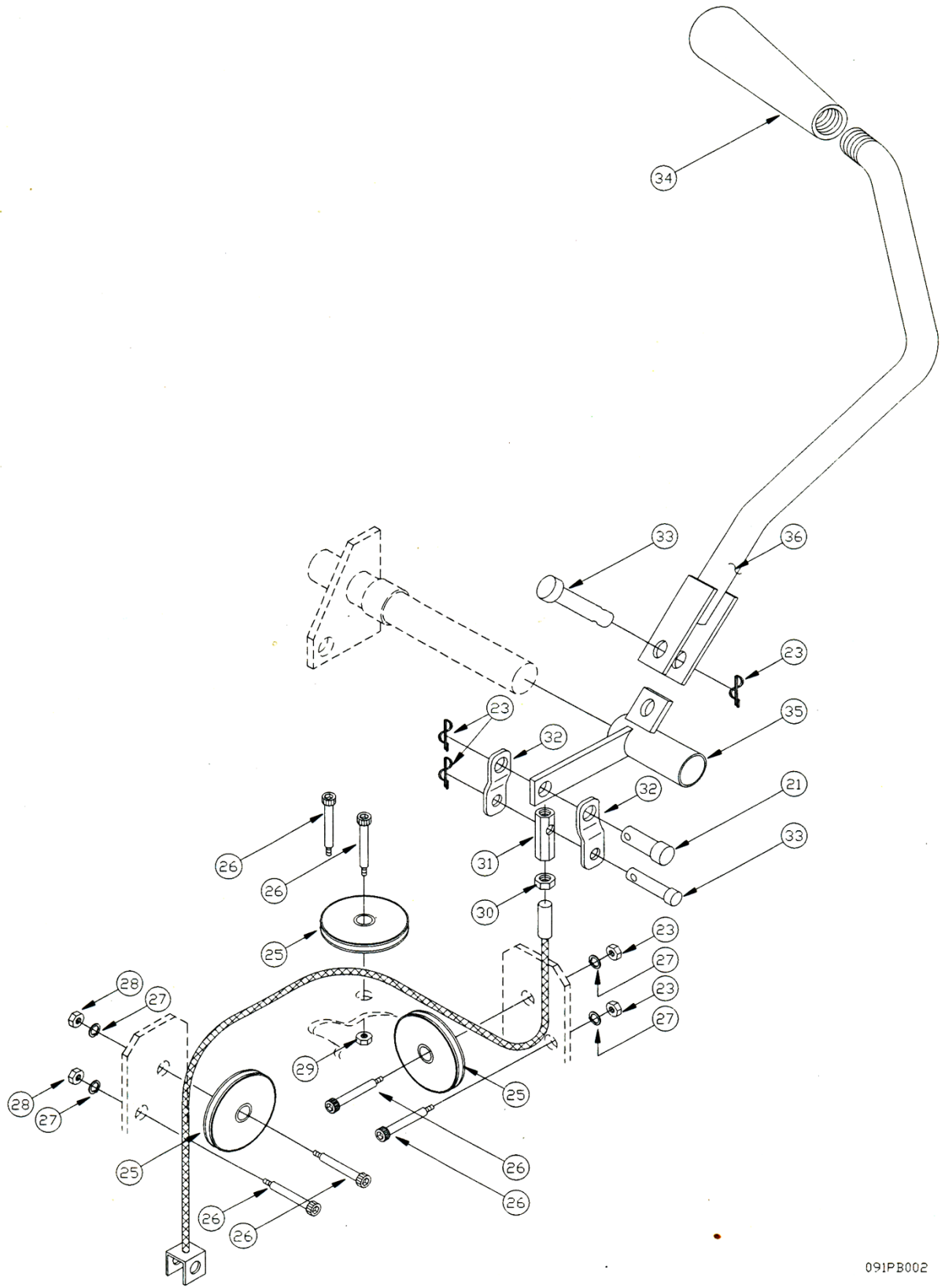




SIDE BROOM GROUP

REF. #	PART NUMBER	DESCRIPTION OF PART	QTY. USED
1	311266	MOUNT - SIDE BROOM MOTOR	1
2	312394	MOTOR - SIDE BROOM ELECTRIC	1
3(Supplied w/ #2)		KEY	1
5	400101	WASHER - LOCK 3/8	4
6	400032	BOLT - 3/8-16 X .75 LONG	4
7	311262	ASSY - SIDE BROOM HUB	1
8	311265	RETAINER - SIDE BROOM	1
9	400081	NUT - 1/4-20 NYLOK	2
10	400474	BOLT - 1/4-20 X .75 FLATHEAD	2
11	400092	WASHER - 3/8 FENDER	1
12	400383	WASHER - 1/4 CONICAL	1
13	400049	SCREW - SOCKET HD 1/4-20 X .75	1
14	311566	SPRING - SIDE BROOM	1
15	311967	ASSY - SIDE BROOM ARM TSS/62	1
16	400020	BOLT - 1/2-13 X 2.0 LONG	1
17	400317	NUT - 1/2-13 NYLOK JAM	4
18	400405	BOLT - 1/2-13 X 3.0 LONG	1
19	311966	CABLE - SIDE BROOM RETAINER	1
20	400023	BOLT - 1/2-13 X 1.0 LONG	2
21	400118	PIN - CLEVIS 5/16 X 7/8	2
22	400088	WASHER - 5/16 FLAT	2
23	400125	RING - RUE 3/8	4
24	311342	CABLE - SIDE BROOM LIFT	1
25	300368	PULLEY	3
26	400051	SCREW - HSS 5/16 X .50 LONG	6
27	400103	WASHER - 1/4 LOCK	6
28	400071	NUT - 1/4-20	6
29	400063	NUT - 1/4-20 FLANGE	2
30	400069	NUT - 5/16-24	1
31	300202	BAR - CABLE ADJ.	1
32	311343	LINK - SIDE BROOM LIFT	2
33	400185	PIN - CLEVIS 5/16 X 1.25	2
34	300558	KNOB	1
35	311271	ASSY - SIDE BROOM LEVER	1
36	311427	ASSY - SIDE BROOM LIFT LEVER	1
37	400473	BOLT - 3/8-16 X 3.0 FULL THREAD	1
38	400392	NUT - 3/8-16 FLANGE	1

SIDE BROOM CABLE GROUP

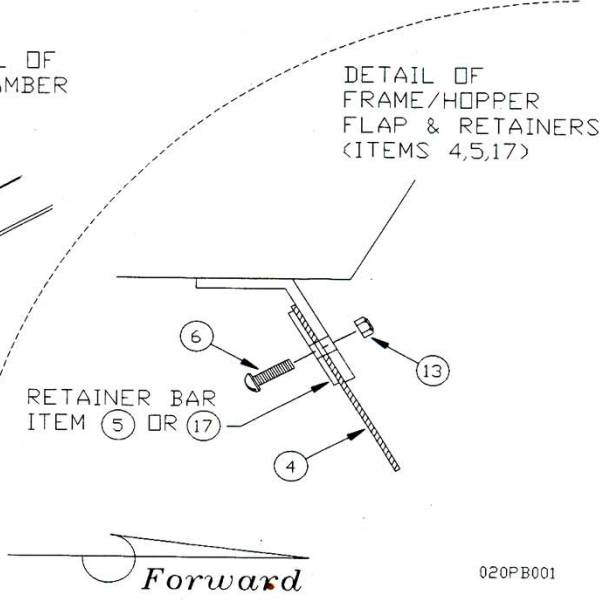
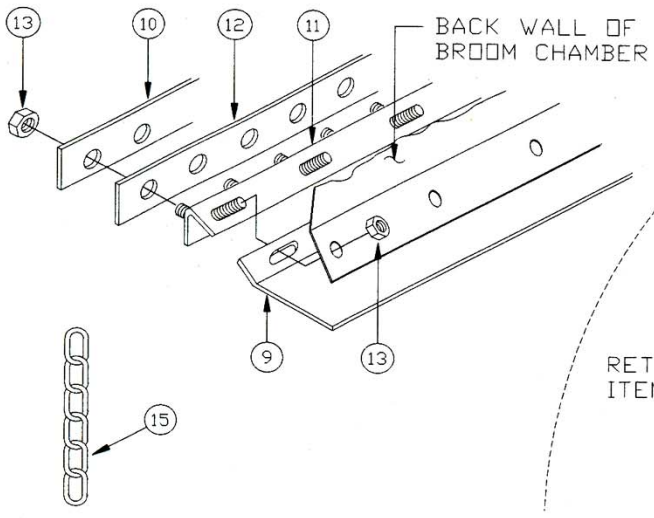
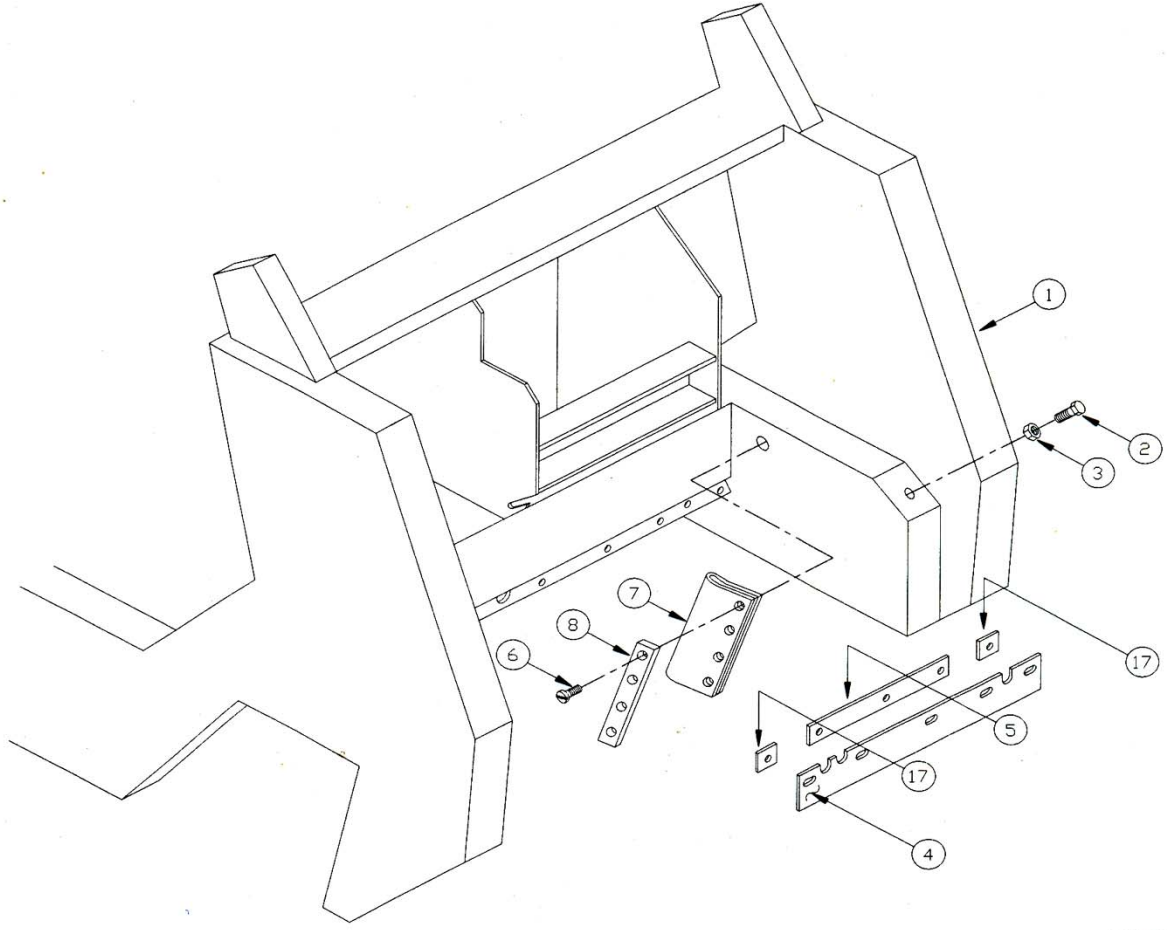


091PB002

SIDE BROOM CABLE GROUP

REF. #	PART NUMBER	DESCRIPTION OF PART	QTY. USED
1	311266	MOUNT - SIDE BROOM MOTOR	1
2	312394	MOTOR - SIDE BROOM ELECTRIC	1
3(Supplied w/ #2)		KEY	1
5	400101	WASHER - LOCK 3/8	4
6	400032	BOLT - 3/8-16 X .75 LONG	4
7	311262	ASSY - SIDE BROOM HUB	1
8	311265	RETAINER - SIDE BROOM	1
9	400081	NUT - 1/4-20 NYLOK	2
10	400474	BOLT - 1/4-20 X .75 FLATHEAD	2
11	400092	WASHER - 3/8 FENDER	1
12	400383	WASHER - 1/4 CONICAL	1
13	400049	SCREW - SOCKET HD 1/4-20 X .75	1
14	311566	SPRING - SIDE BROOM	1
15	311967	ASSY - SIDE BROOM ARM TSS/62	1
16	400020	BOLT - 1/2-13 X 2.0 LONG	1
17	400317	NUT - 1/2-13 NYLOK JAM	4
18	400405	BOLT - 1/2-13 X 3.0 LONG	1
19	311966	CABLE - SIDE BROOM RETAINER	1
20	400023	BOLT - 1/2-13 X 1.0 LONG	2
21	400118	PIN - CLEVIS 5/16 X 7/8	2
22	400088	WASHER - 5/16 FLAT	2
23	400125	RING - RUE 3/8	4
24	311342	CABLE - SIDE BROOM LIFT	1
25	300368	PULLEY	3
26	400051	SCREW - HSS 5/16 X .50 LONG	6
27	400103	WASHER - 1/4 LOCK	6
28	400071	NUT - 1/4-20	6
29	400063	NUT - 1/4-20 FLANGE	2
30	400069	NUT - 5/16-24	1
31	300202	BAR - CABLE ADJ.	1
32	311343	LINK - SIDE BROOM LIFT	2
33	400185	PIN - CLEVIS 5/16 X 1.25	2
34	300558	KNOB	1
35	311271	ASSY - SIDE BROOM LEVER	1
36	311427	ASSY - SIDE BROOM LIFT LEVER	1
37	400473	BOLT - 3/8-16 X 3.0 FULL THREAD	1
38	400392	NUT - 3/8-16 FLANGE	1

FRAME GROUP



020PB001



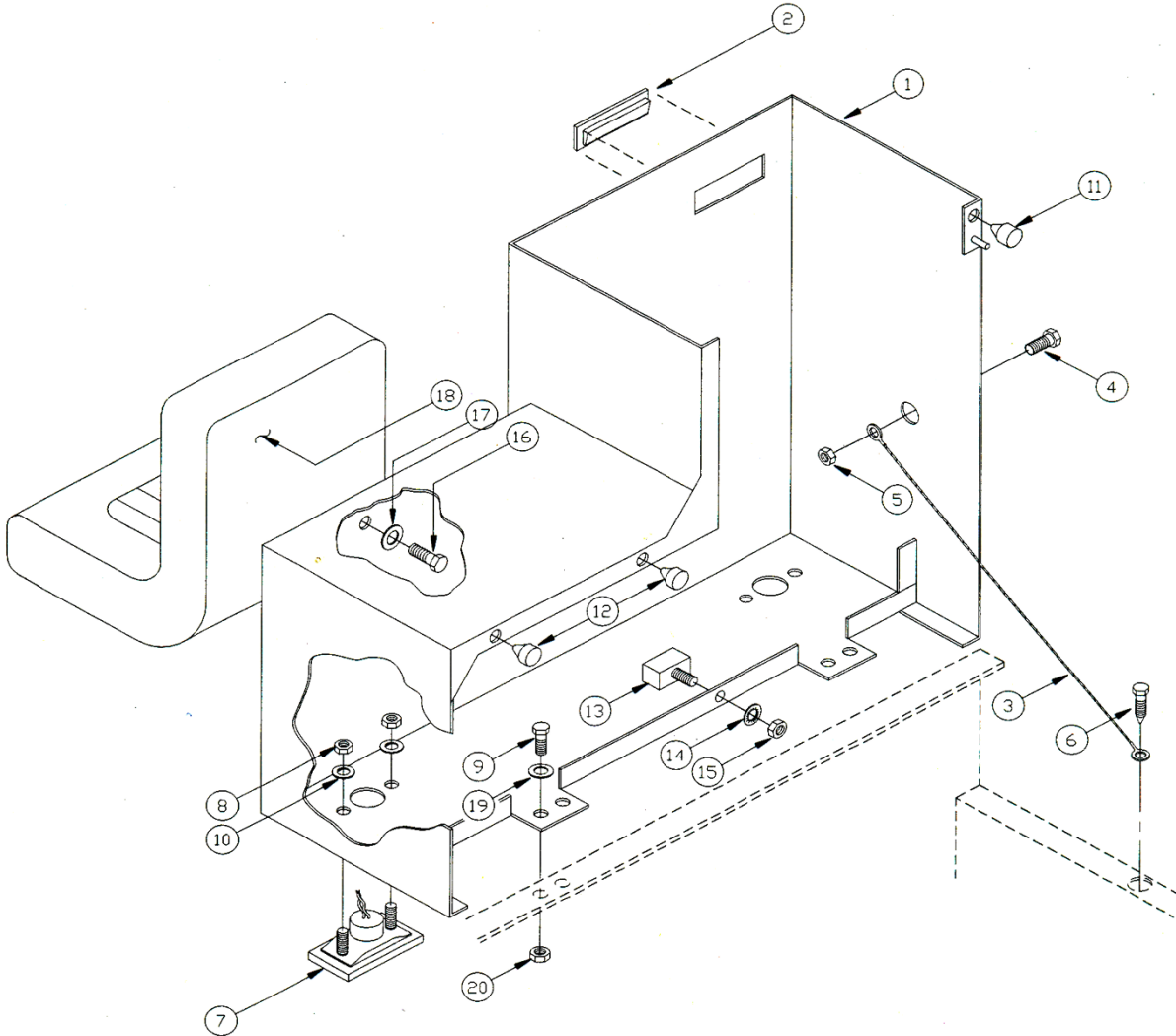
FRAME GROUP

REF. #	PART NUMBER	DESCRIPTION OF PART	QTY. USED
1	311501	ASSY - FRAME TSS/62	1
2	400405	BOLT - 1/2-13 X 3.0 LONG	2
3	400065	NUT - 1/2-13	2
4	311996	FLAP - HOPPER/FRAME	1
5	311997	STRAP - HOPPER/FRAME FLAP	1
6	400056	BOLT - 5/16-18 X 1.0 TRUSS HEAD	13
7	311413	SEAL - HOPPER SIDE	2
8	311414	BAR - RETAINER	2
9	311125	ASSY - FLAP RECIRCULATION LAMINATED	1
10	311390	STRAP - RETAINER REAR FLAP	1
11	311391	ASSY - ANGLE REAR FLAP MOUNT	1
12	311130	FLAP - REAR BROOM CHAMBER	1
13	400080	NUT - 5/16-18 NYLOK	12
15	307658	GROUNDING CHAIN	1
17	311998	STRAP - SHORT HOPPER/FRAME FLAP	2

CLIP / SEAT GROUP

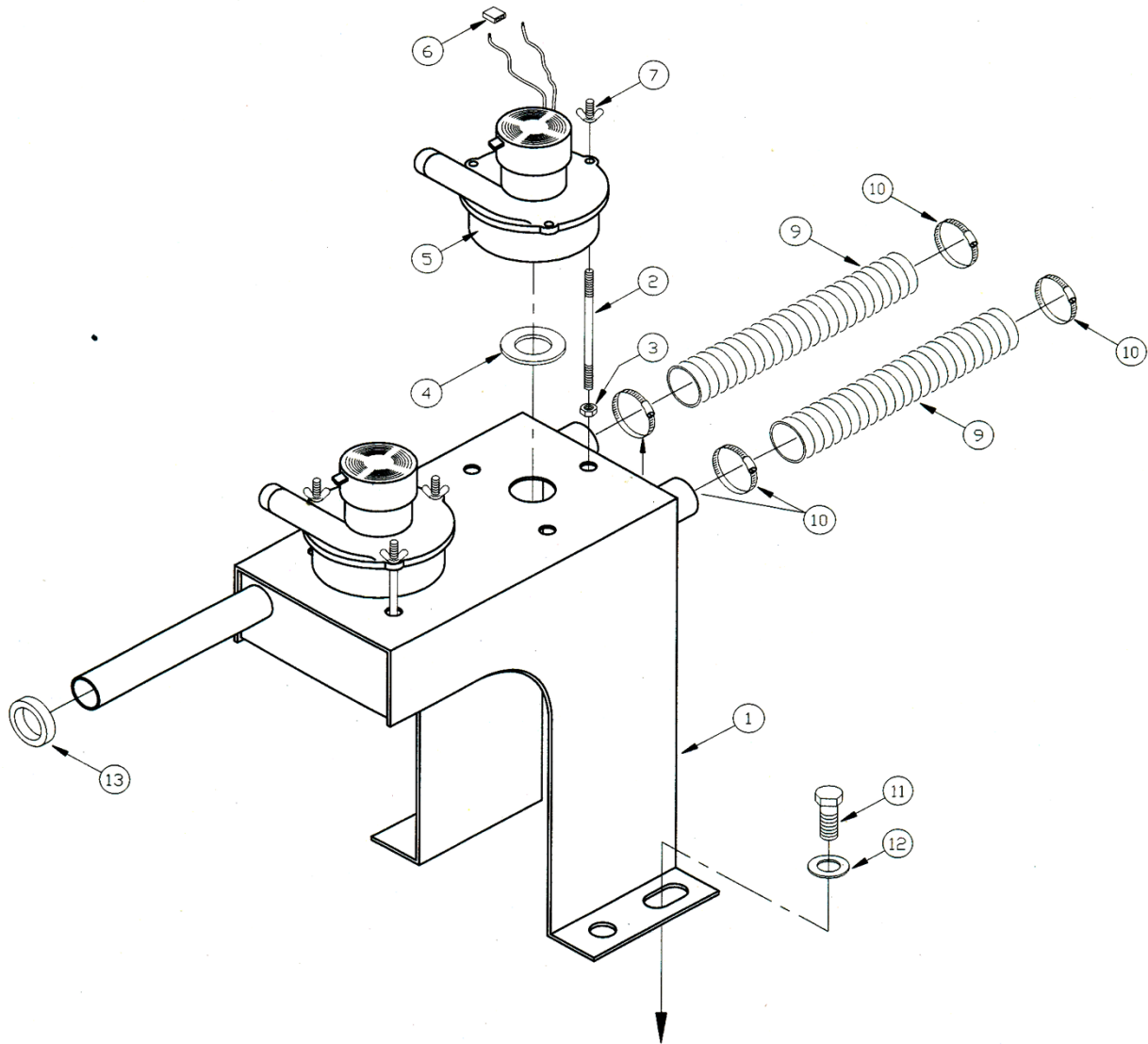
REF. #	PART NUMBER	DESCRIPTION OF PART	QTY. USED
1	311590	ASSY - REAR CLIP TSS/62/65	1
2	311371	PULL - REAR CLIP	1
3	304032	CABLE - REAR CLIP	2
4	400042	BOLT - 1/4-20 X .75 LONG	2
5	400081	NUT - 1/4-20 ES	2
6	311374	SCREW - 1/4 SELF TAPPING	2
7	311373	LIGHT - REAR TAIL	2
8	400072	NUT - #10-32	4
9	400040	BOLT - 1/4-20 X 1.0 LONG	4
10	400104	WASHER - #10-32	4
11	304037	BUMPER - RUBBER LONG	1
12	300526	BUMPER - RUBBER	2
13	311372	SWITCH - SAFETY REAR CLIP	1
14	400272	WASEHR - INTENAL STAR 3/8	1
15	311416	NUT - 3/8-32 JAM	1
16	400036	BOLT - 5/16-18 X .75 LONG	4
17	400384	WASHER - 5/16 CONICAL SPRING	4
18	300487	SEAT - SUBURBAN ASSEMBLY	1
19	400383	WASHER - 1/4 CONICAL SPRING	4
20	400063	NUT - 1/4-20 FLANGE LOCK	1
	312163	WIRING HARNESS - REAR CLIP	1
	311666	WIRING HARNESS - JUMPER REAR CLIP	1
	311671	WIRING HARNESS - JUMPER LONG	5
	301358	WIRE TIE	2
	302776	MOUNT - WIRE TIE	3
	302472	MOUNT - WIRE TIE	1
	311673	WIRING HARNESS - JUMPER 4 CONNECTOR	2
	311377	BULB - TAIL LIGHT	4

CLIP / SEAT GROUP



050PB001

SOLUTION PICK-UP (VACUUM) GROUP

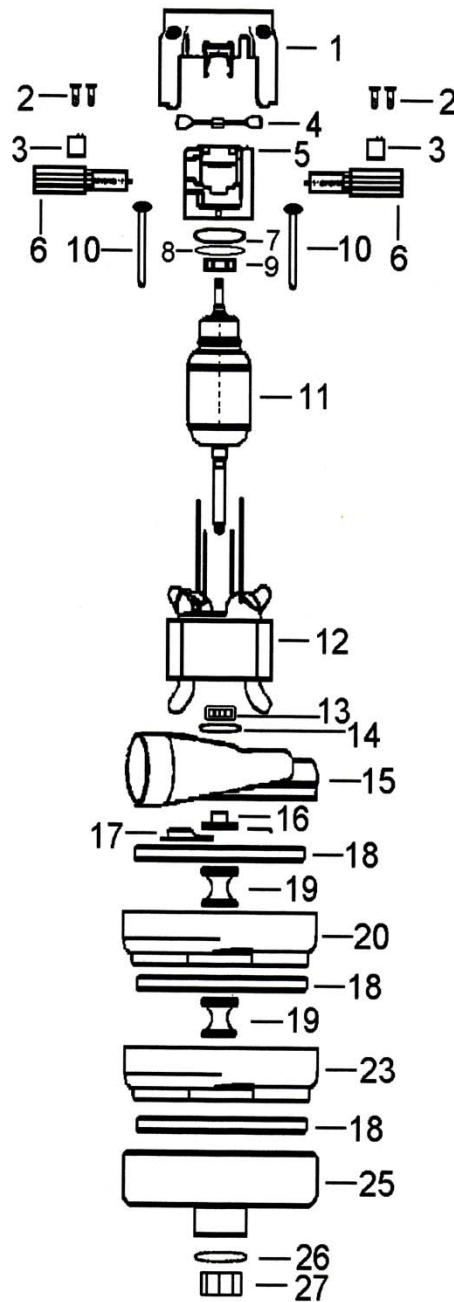


120PB002

SOLUTION PICK-UP (VACUUM) GROUP

REF. #	PART NUMBER	DESCRIPTION OF PART	QTY. USED
1	311774	ASSY - VAC BOX	1
2	311914	ROD - THREADED 1/4-20 X 4.5 LONG	6
3	400063	NUT - 1/4-20 FLANGE	6
4	311799	GASKET - VAC MOTOR	2
5	308200	VAC MOTOR	2
6	312088	CONNECTOR	2
7	311817	WING NUT - NYLON 1/4-20	6
	311943	HOSE - TANK TO VAC 2-IN.	1
9	311795	HOSE - TANK TO VAC 2.5-IN.	1
10	300336	CLAMP - SS 2.5	4
11	400032	BOLT - 3/8-16 X .75 LONG	4
12	400385	WASHER - CONICAL 3/8	4
13	311949	BUSHING - PLASTIC SNAP	1

SOLUTION PICK-UP (VACUUM FAN) GROUP



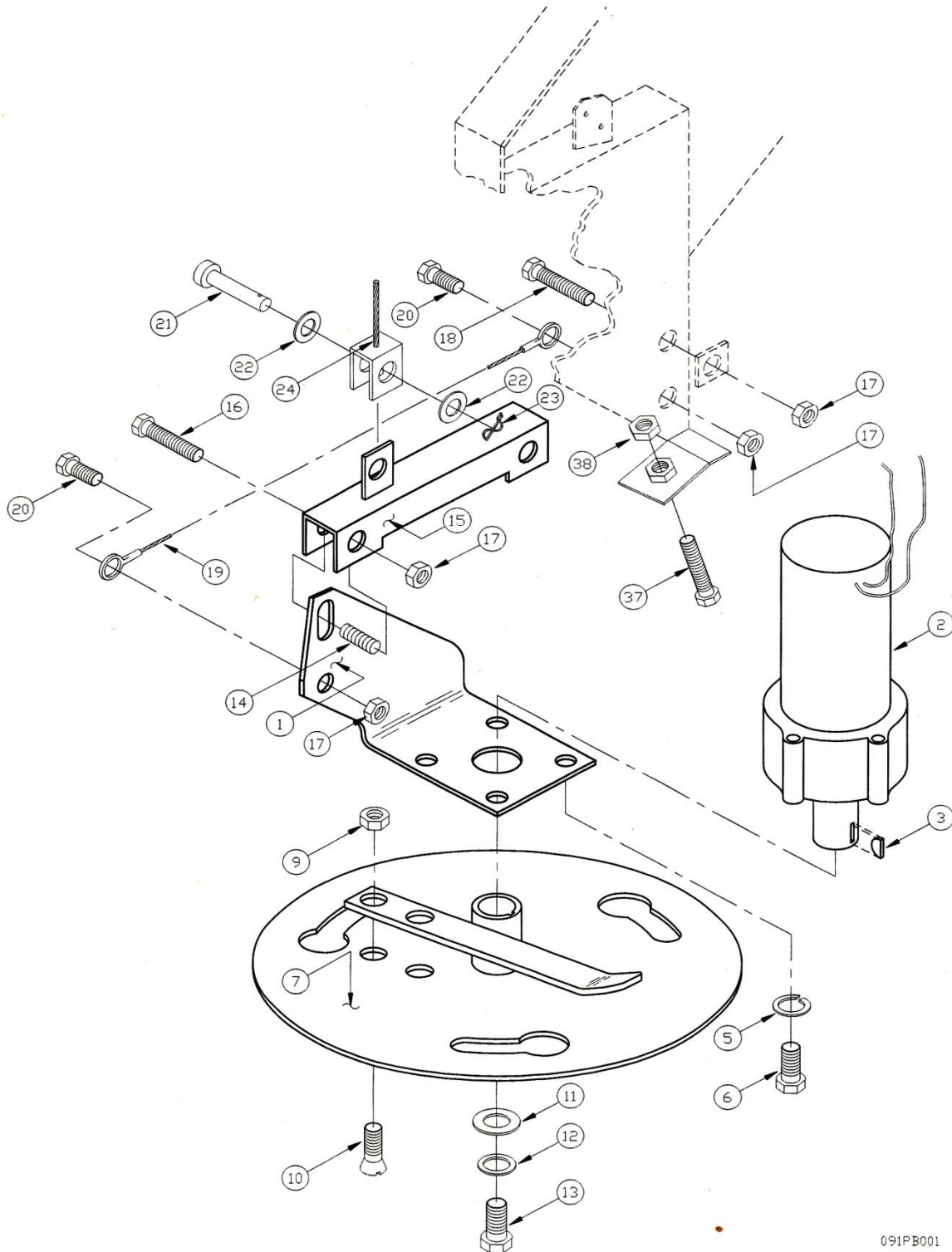
SOLUTION PICK-UP (VACUUM FAN) GROUP

REF. #	PART NUMBER	DESCRIPTION OF PART	QTY. USED
1	321259	HOUSING	1
2	321267	SCREW	4
3	321260	CLAMP	2
4	321261	FAN	1
5	321262	COMM END BRACKET	1
6	321263	BRUSH MECH	2
7	321264	LOAD SPRING	1
8	321265	DISC	1
9	321266	BALL BEARING	1
10	*	SCREW	2
11	*	ARMATURE	1
12	*	FIELD	1
13	*	BALL BEARING	1
14	*	NEOPRENE WASHER	1
15	*	FAN END BRKT	1
16	*	SPACER	1
17	*	AIR SEAL FAN	1
18	*	ROTATING FAN	3
19	*	SPACER	2
20	*	STATIONARY FAN	1
23	*	STATIONARY FAN	1
25	*	FAN SHELL	1
26	*	WASHER	1
27	*	NUT	1

*** AN ASTERISK MEANS THAT AAR POWERBOSS DOES NOT SELL THESE PARTS INDIVIDUALLY.**

SIDE BROOM GROUP

- Optional on CSS Models -



091PB001

OPERATOR'S CONSOLE GROUP

REF. #	PART NUMBER	DESCRIPTION OF PART	QTY. USED
1	317851	DECAL - CLIP ESS	1
2	303258	GAUGE - SCRUBHEAD	1
3	307552	SWITCH - ROCKER	2
4	311323	GAUGE - BATTERY COND. / HR. METER	1
5	300441	SWITCH - MOMENTARY	2
6	304039	LIGHT - INDICATOR	1
7	304444	FUSE HOLDER	4
8	307553	SWITCH - 2PDT MOMENTARY	2
9	311993	SWITCH - 2PDT ON/ON	1
10	311783	LEVER - SOLUTION	1
11	311925	GRIP - SOLUTION HANDLE	1
12	311927	BOLT - SHOULDER 3/8 X .75	1
13	311929	SPACER - SOLUTION HANDLE	1
14	300414	BUSHING - NYLON	1
15	301734	WASHER - WAVE	1
16	400089	WASHER - FLAT	1
17	400081	NUT - 1/4-20 NYLOK	1
18	301199	BALL JOINT - 1/4	1
19	400103	WASHER - SPLIT LOCK 1/4	1
20	400180	NUT - 1/4-28	2
21	311784	CABLE - SOLUTION CONTROL	1
22(Supplied w/ #21)		STAR WASHER & NUT	2 each
	311376	(Used in #6)BULB - RTR LIGHT 36V DC (NOT SHOWN)	1
24	311869	ADAPTER - 32V	1
	300447	FUSE - 20 AMP (NOT SHOWN)	4

CONTROL BOX GROUP

REF. #	PART NUMBER	DESCRIPTION OF PART	QTY. USED
1	311016	CONTROLLER - SPEED SW/62 "E"	1
2	311020	RESISTOR - CONTACTOR PRECHARGE	1
3	311441	CABLE - FWD TO AUX JUMPER	2
4	311442	CABLE - CONTROL "M" TO FWD SOLENOID	3
5	311446	CABLE - AUX MTR "-" TO CONTROL "B-"	6
6	311564	GROMMET - 1/2 ID RUBBER	8
7	311567	RESISTOR - 50 OHM 50 WATT	1
8	311568	BRACKET - RESISTOR MOUNT	2
9	311973	CABLE - BATTERY POWER	1
10	315204	SOLENOID - FWD/REV WHITE-RODGERS	4
11	315205	SOLENOID - MAIN WHITE-RODGERS	5
12	317811	HARNESS - SCRUBHEAD LIFT	1
13	317831	PLT - CONTROL BOX REAR	1
14	317838	BAR - CONTACTOR BUSS 5.12"	1
15	317839	BAR - CONTACTOR BUSS 5.06"	1
16	317840	BAR - CONTACTOR BUSS 2.06"	4
17	317841	BAR - CONTACTOR MOUNTING	1
18	317872	FUSE - 50 AMP ANL (Not Shown)	3
19	317873	FUSE - 200 AMP ANL (Not Shown)	1
20	317876	HOLDER - ANL FUSE	4
21	317879	BAR - CONTACTOR FWD/REV LONG	2
22	317880	BAR - CONTACTOR FWD/REV SHORT	2
23	317881	BAR - CONTACTOR BUSS 9.50	1
24	317903	WIRE - JUMPER 3"	3
25	317904	WIRE - JUMPER 6"	1
26	317905	WIRE - JUMPER 6" SQU	1
27	317906	WIRE - JUMPER 6" SQU POS	1
28	317907	WIRE - JUMPER 7"	1
29	317908	WIRE - JUMPER 8"	1
30	317909	HOLDER - BUSS BAR	1

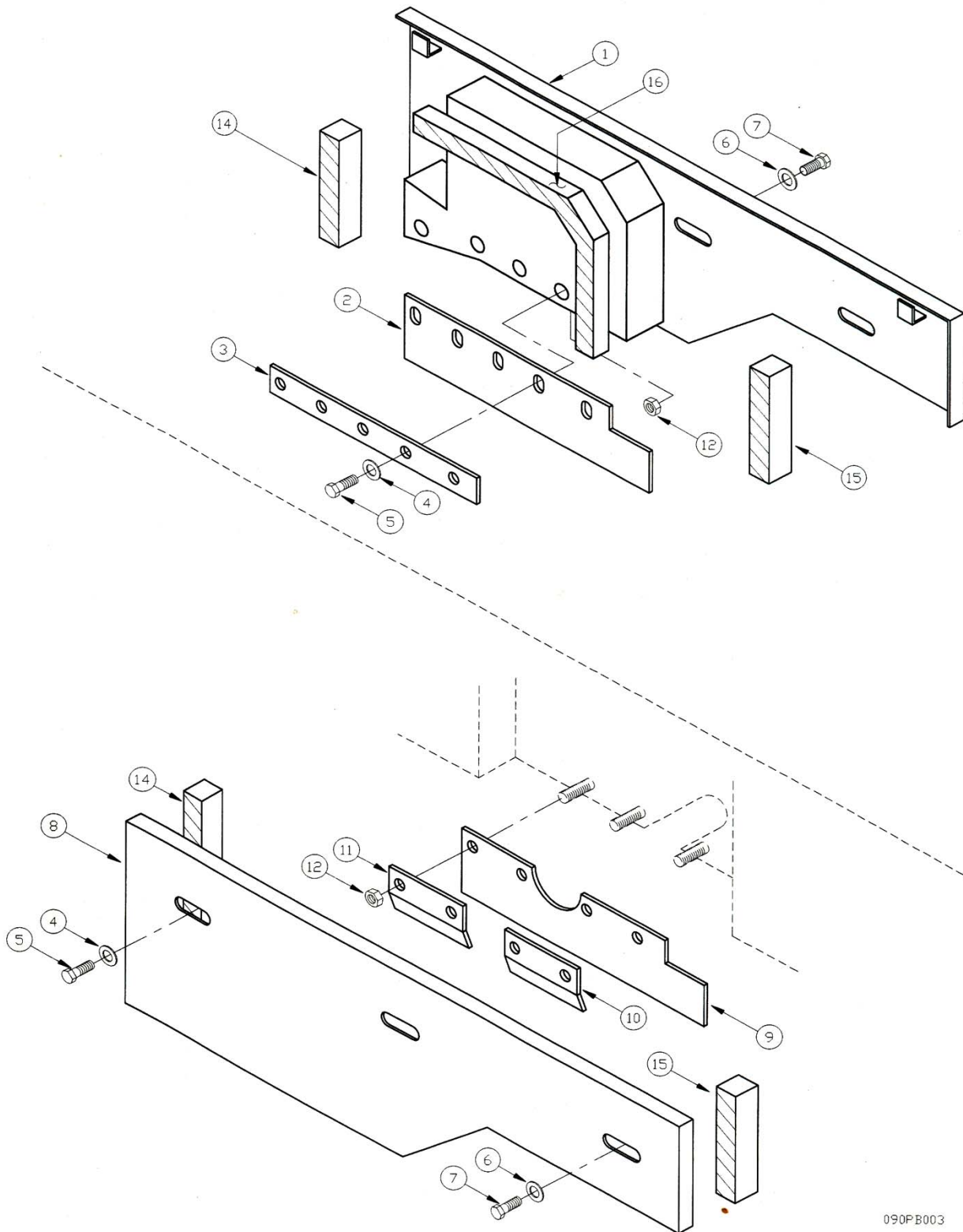
BROOM DOOR GROUP

REF. #	PART NUMBER	DESCRIPTION OF PART	QTY. USED
1	311607	ASSY - SIDE DOOR RIGHT	1
2	311432	FLAP - RIGHT BROOM DOOR	1
3	311329	STRAP - RIGHT BROOM DOOR FLAP	1
4	400088	WASHER - 5/16 FLAT	5
5	400035	BOLT - 5/16-18 X 1.0 LONG	5
6	311327	WASHER - NYLON	6
7	400029	BOLT - 3/8-16 X 1.25 LONG	4
8	311608	ASSY - SIDE DOOR LEFT	1
9	311429	FLAP - LEFT BROOM DOOR	1
10	311431	STRAP - LEFT BROOM DOOR REAR	1
11	311430	STRAP - LEFT BROOM DOOR FRONT	1
12	400080	NUT - 5/16-18 NYLOK	9
	400032	BOLT - 3/8-16 X .75 (FRONT BOLT ONLY)	2
14	311465	SEAL - SIDE DOOR FRONT	2
15	311466	SEAL - SIDE DOOR REAR	2
16	311467	SEAL - SIDE DOOR CENTER	1

FLOOR PAN GROUP

REF. #	PART NUMBER	DESCRIPTION OF PART	QTY. USED
1	311920	ASSY - DRAIN HOSE	1
2	300336	CLAMP	1
3	311919	BRACKET - HOSE ANCHOR	1
4	311926	ASSY - FLOOR PAN	1
5	312091	EDGING - FLOOR PAN	1
6	311941	LATCH - FLEXIBLE T-HANDLE	1
7	400489	SCREW - #10-24 X .625 LONG	3
8	304042	FLOOR MAT	1
9	311809	PLATE - DRAIN HOSE	1
10	311810	SPACER - DRAIN HOSE	1
11	311912	CLAMP - DRAIN HOSE	1
12	400488	BOLT - CARRIAGE 1/4-20 X 1.5 LONG	2
13	400063	NUT - FLANGE 1/4-20	2
14	311819	CLIP - SPRING	1
15	400486	RIVET - SS 1/8 DIA X .256	2
16	311787	PLUG - EXPANDABLE DRAIN	1
17	400043	BOLT - 1/4-20 X .5 LONG	4
18	400383	WASHER - 1/4 CONICAL	4
19	312193	COVER - PEDAL	1

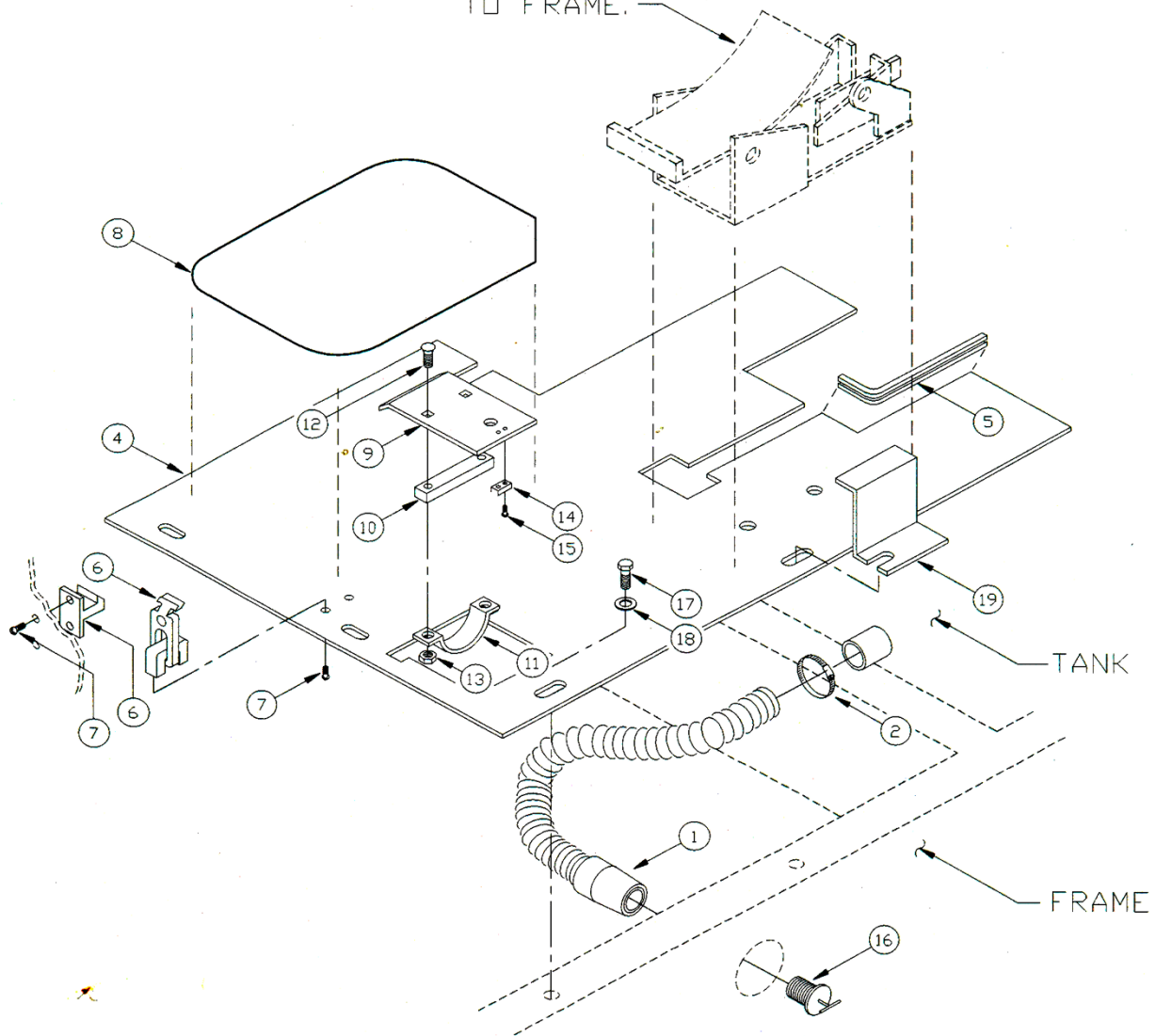
BROOM DOOR GROUP



090PB003

FLOOR PAN GROUP

NOTE:
FOOT PEDAL ASSEMBLY SHOULD
BE ATTACHED TO FLOOR PAN
BEFORE SECURING FLOOR PAN
TO FRAME.

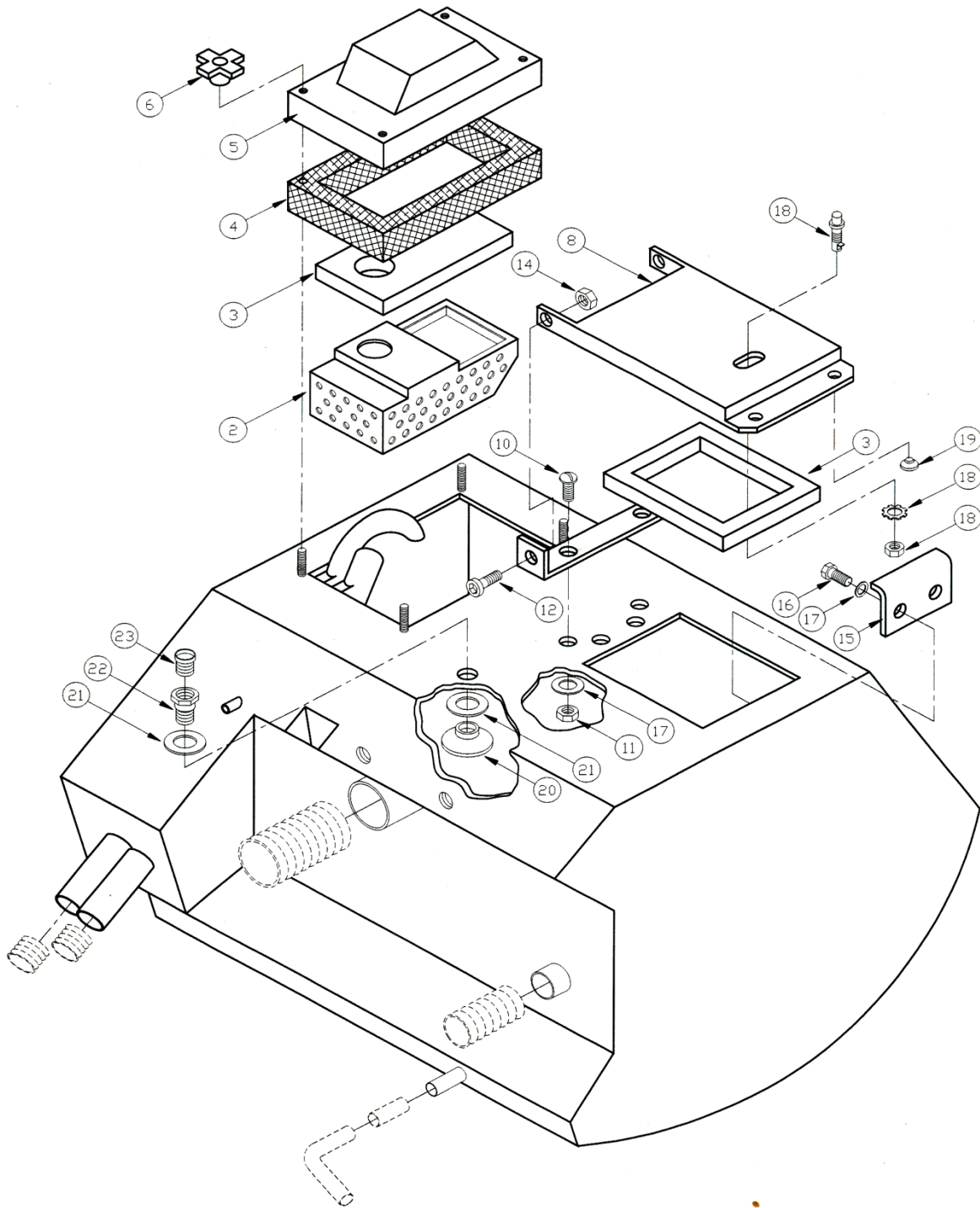


020PB002

RECOVERY TANK GROUP

REF. #	PART NUMBER	DESCRIPTION OF PART	QTY. USED
1	311502	ASSY - TANK MAIN	1
2	311850	SEPARATOR ASSEMBLY	1
3	311860	MIST FILTER	1
4	311862	GASKET - SEPARATOR COVER	1
5	311654	COVER - TANK SEPARATOR	1
6	300564	KNOB - 5/16-18 PLASTIC	4
7	304589	BRACKET - HINGE	1
8	311922	ASSY - FILL DOOR	1
9	304592	GASKET	1
10	400059	SCREW - SLOTTED HD 1/4-20 X .75 SS	4
11	400198	NUT - 1/4-20 SS	9
12	400052	BOLT - SHOULDER 5/16 DIA X .25 LONG	2
14	400063	NUT - FLANGE LOCK 1/4-20	2
15	311814	ANGLE - DOOR KEEPER - TANK	1
16	400199	BOLT - 1/4-20 X .75 SS	2
17	400321	WASHER - LOCK SPLIT 1/4 SS	4
18	311910	LATCH - PUSH BUTTON	1
19	300526	BUMPER - RUBBER	2
20	311796	NOZZLE - AUTO FLUSH	1
21	311816	WASHER - NYLON AUTOFLUSH	2
22	311818	FITTING - BRASS GH X 1/2 MALE NPT	1
23	311911	PLUG - PLASTIC 3/4 NPT MALE	1

RECOVERY TANK GROUP - Top / External Components -

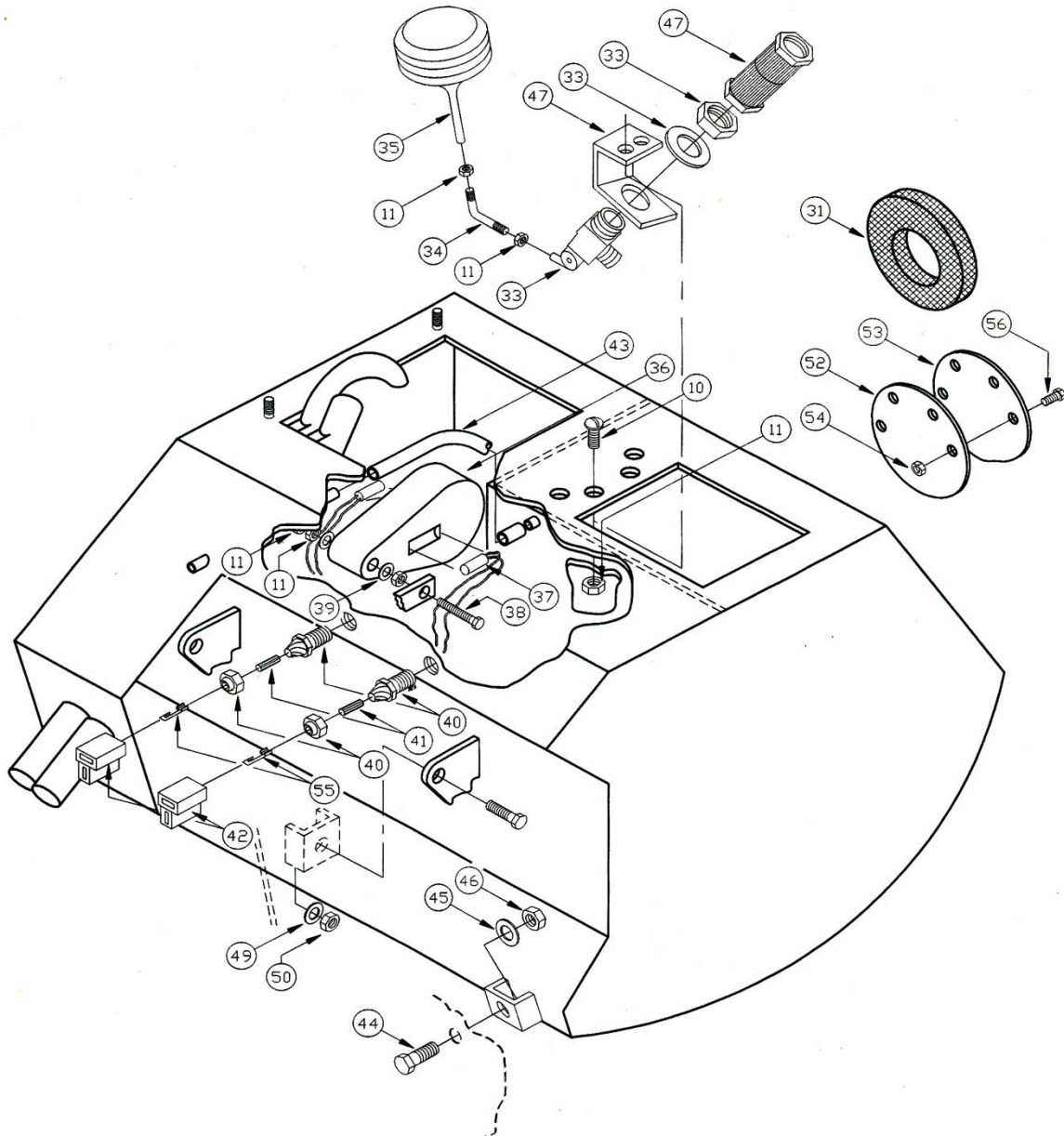


120PB006



RECOVERY TANK GROUP

- Internal / Clean-Out Components -



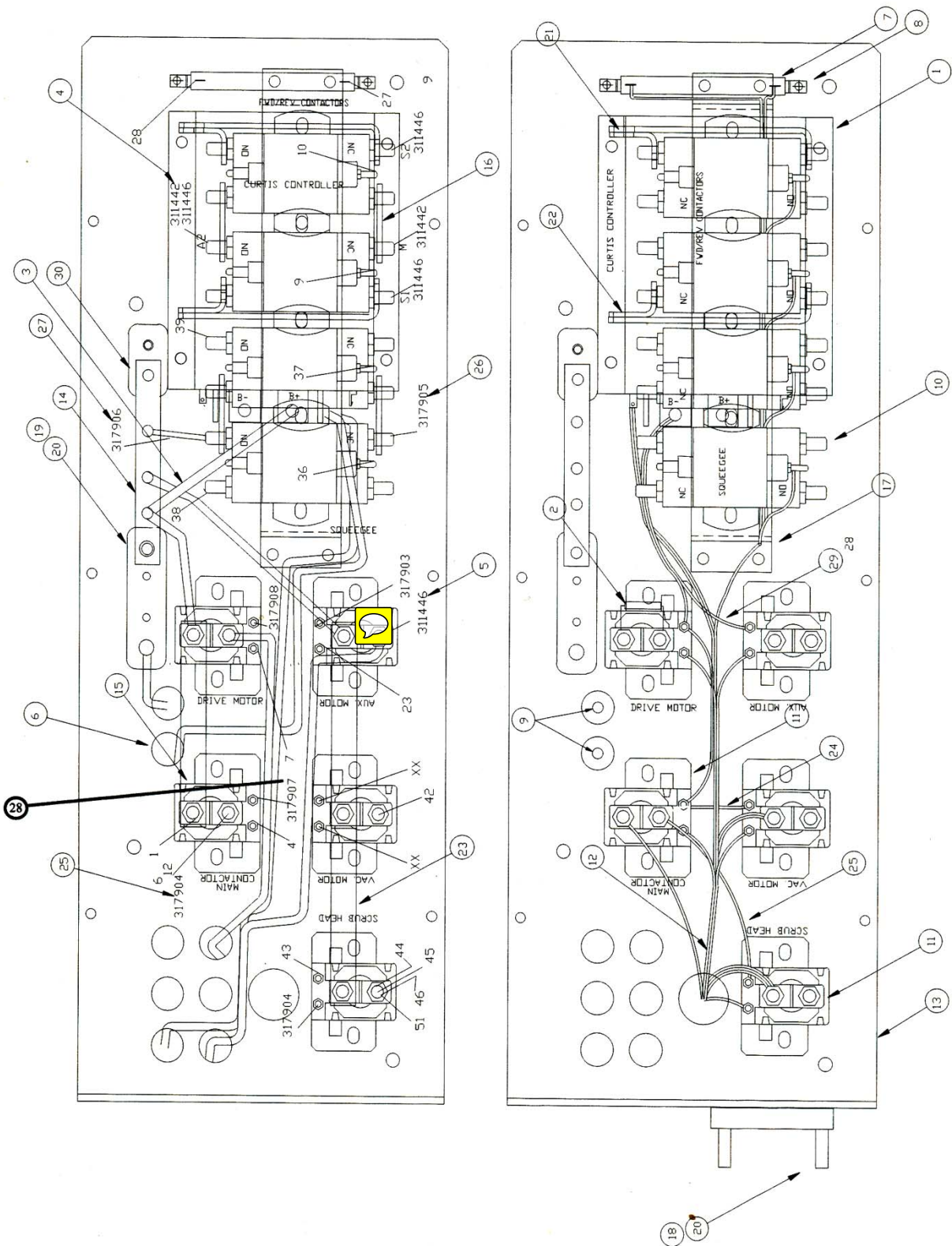
120PB007



RECOVERY TANK GROUP

REF. #	PART NUMBER	DESCRIPTION OF PART	QTY. USED
31	307005	GASKET - HOPPER VAC	1
32	311780	BRACKET - AUTOFILL MOUNT	1
33	309066	VALVE - AUTOFILL	1
34	311781	ROD - AUTOFILL	1
35	309067	FLOAT - AUTOFILL	1
36	311785	FLOAT - RECOVERY TANK	1
37	311786	SWITCH - MERCURY	2
38	400490	BOLT - 1/4-20 X 2.5 LONG SS	1
39	400491	WASHER - FLAT 1/4 SS	2
40	311913	CONNECTOR - WATERTIGHT 3/8 NPT	2
41	312094	SHRINK TUBING	2
42	302088	CONNECTOR - BODY	2
43	312093	HOSE - EQUALIZER	1
44	400032	BOLT - 3/8-16 X .75 LONG	2
45	400385	WASHER - CONICAL 3/8	2
46	400392	NUT - 3/8-16 FLANGE	2
47	309040	FTG - BRASS ADAPTER GH	1
48	400036	BOLT - 5/16-18 X .75 LONG	2
49	400384	WASHER - CONICAL 5/16	2
50	400390	NUT - FLANGE 5/16-18	2
51	312117	Not Shown CONNECTOR - TERMINAL (MATES W/#42)	4
52	312082	GASKET - CLEAN OUT COVER	1
53	312081	COVER - CLEAN OUT	1
54	400324	NUT - HEX 1/4-20 ES-SS	8
55	312117	TERMINAL - CRIMP-ON	4
56	400059	SCR - THM 1/4-20 X .75 SS	8
*	312199	Replaces items ASSY - TILT SWITCH FIELD REPLACEMENT	1
		37, 40, 41, 42, & 55	

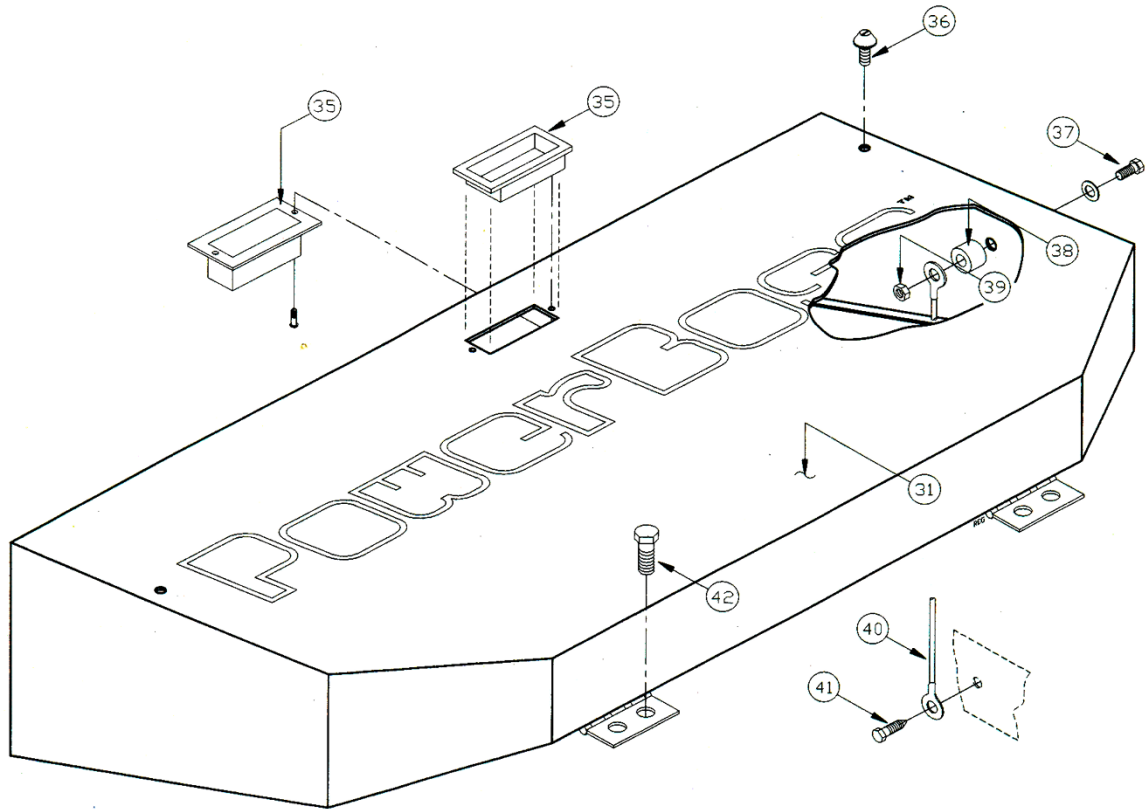
CONTROL BOX GROUP



**FRONT BUMPER GROUP**

REF. #	PART NUMBER	DESCRIPTION OF PART	QTY. USED
1	312145	ASSY - FRONT BUMPER	1
2	302482	BUMPER - RUBBER	4
3	400080	NUT - 5/16-18 NYLOK	4
4	400088	WASHER - 5/16 FLAT	4
5	400092	WASHER - 3/8 FENDER	4
6	400036	BOLT - 5/16-18 X .75 LONG	4
7	400033	BOLT - 5/16-18 X 1.5 LONG	4
8	400384	WASHER - 5/16 CONICAL	4
9	311754	ASSY - PLATE BUMPER RETAINER	2

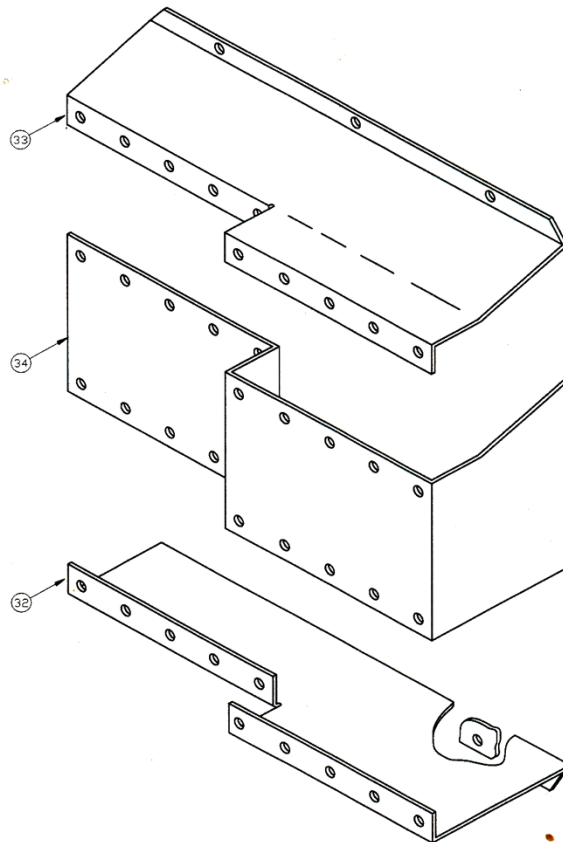
CONTROL BOX GROUP (CONT.)



200PB001

CONTROL BOX GROUP (CONT.)

REF. #	PART NUMBER	DESCRIPTION OF PART	QTY. USED
31	317786	ASSY - POD COVER	1
32	317842	PLT - CONTROL BOX COVER BOTTOM	1
33	317843	PLT - CONTROL BOX COVER TOP	1
34	317846	PLT - CONTROL BOX COVER FRONT	1
35	311371	HANDLE	1
36	304037	BUMPER - RUBBER	2
37	400227	BOLT - 1/4 - 20 X 1.25	1
38	302426	SPACER	1
39	400081	NUT - 1/4-20 ES	1
40	312106	CABLE - POD COVER	1
41	311374	SCREW - 1/4 SELF-TAPPING	1
42	400042	BOLT - 1/4-20 X .75 LONG	4



200PB002

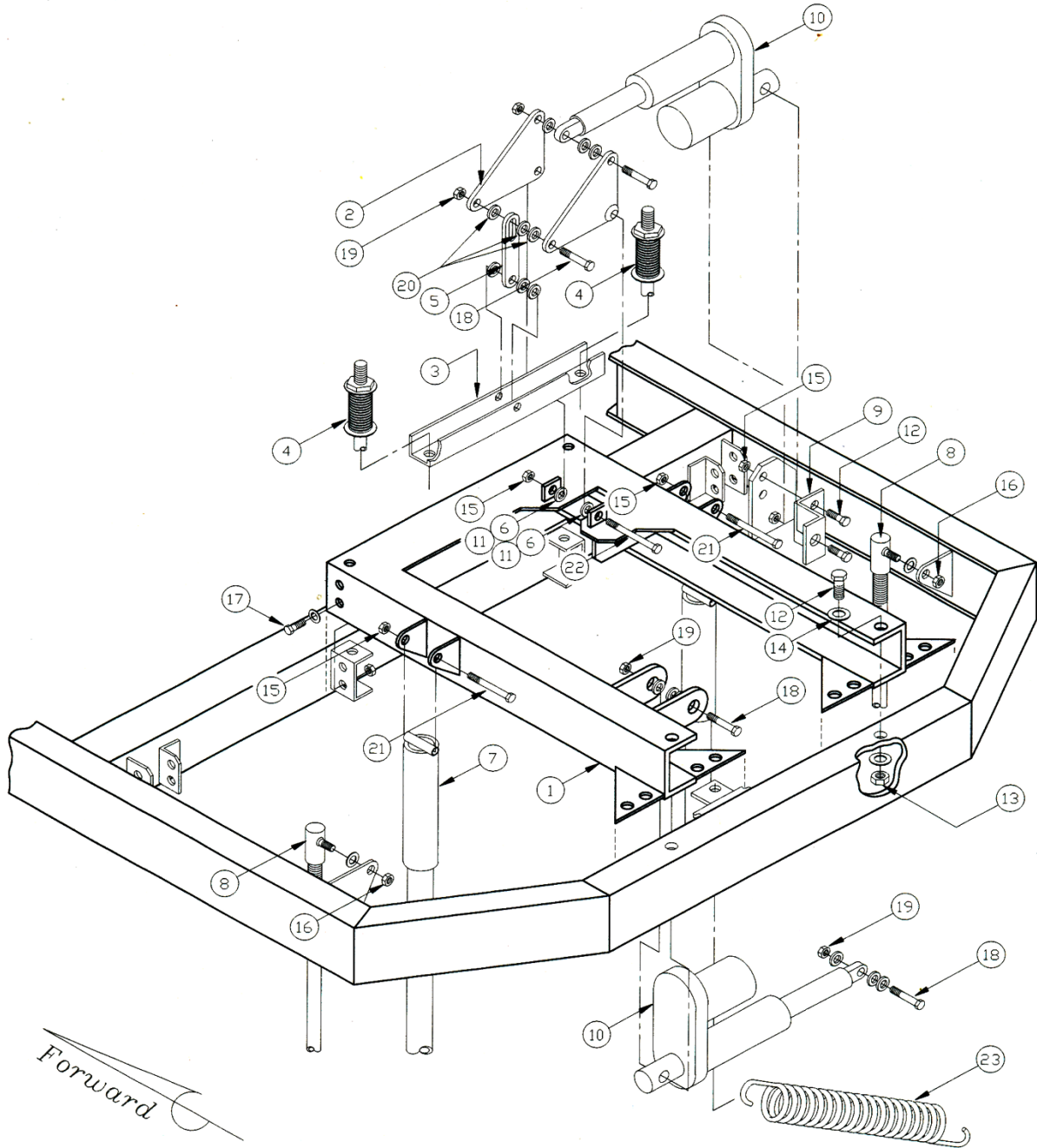


SCRUBHEAD GROUP

REF. #	PART NUMBER	DESCRIPTION OF PART	QTY. USED
1	317781	SCRUBHEAD LIFT MOUNT	1
2	317790	BELLCRANK	1
3	317776	SCRUBHEAD LIFT CHANNEL	1
4	312125	SPRING	4
5	317778	SCRUBHEAD LIFT BAR	1
6	300432	BUSHING	2
7	317894	STRUT - UPPER	2
8	312412	GAS SPRING	2
9	317830	ACTUATOR MOUNT BRACKET	1
10	308196	ACTUATOR - 4" STROKE	2
11	302411	SLEEVE	2
12	400030	SCREW - HEX 3/8-16 X 1.00	8
13	400392	NUT - FLANGE LOCK 3/8-16	6
14	400385	WASHER - CONICAL SPRING 3/8	6
15	400079	NUT - HEX 3/8-16 ES	5
16	400390	NUT - FLANGE LOCK 5/16-18	2
17	400022	SCREW - HEX, 1/2-13 X 1.25	10
18	400020	SCREW - HEX, 1/2-13 X 2.00	5
19	400317	NUT - HEX 1/2-13 ES	7
20	311297	SPACER - DIRECT CONTROL PLTD	7
21	400501	SCREW - HEX, 3/8-16 X 4.00	2
22	400650	SCREW - HEX, 3/8-16 X 4.50	1
23	301520	SQUEEGEE SPRING	1
	320603	ASSY - POTENTIOMETER SCRUBHEAD 65	1

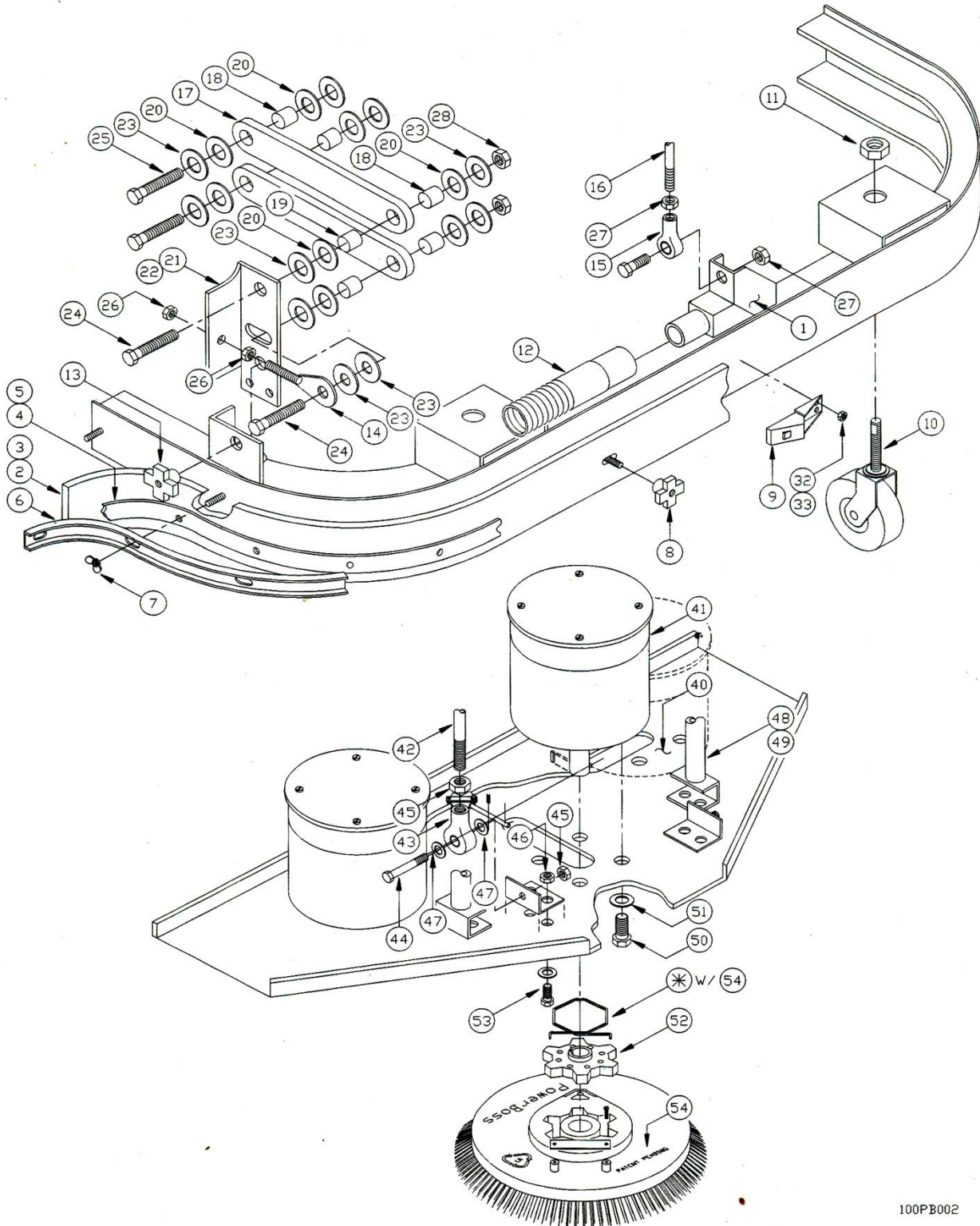


SCRUBHEAD GROUP



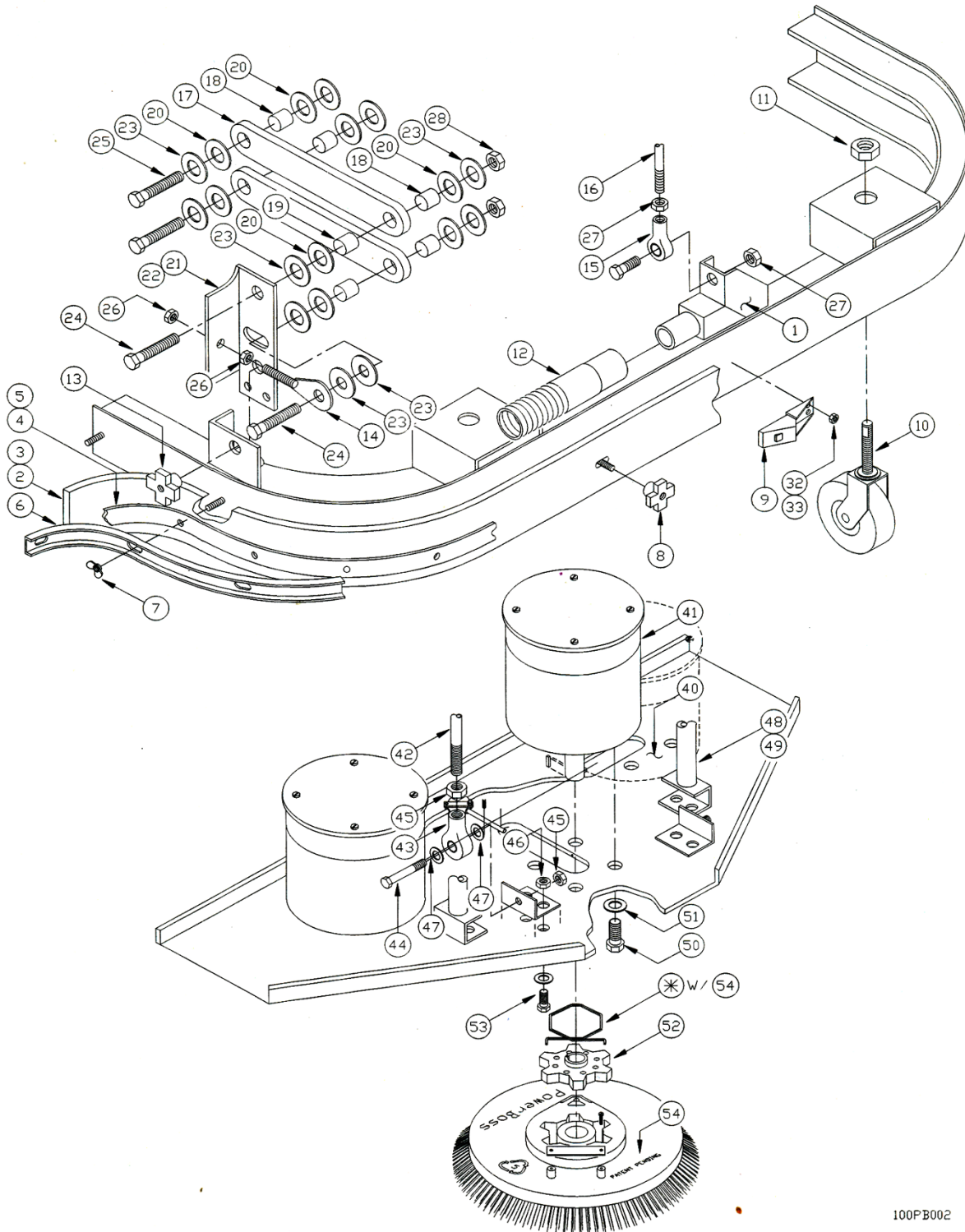
100PB001

SQUEEGEE GROUP



100PB002

SQUEEGEE GROUP (Continued)



100PB002

SQUEEGEE GROUP

REF. #	PART NUMBER	DESCRIPTION OF PART	QTY. USED
1	317701	SQUEEGEE FRAME	1
2	317723	OUTER SQUEEGEE	1
3	317724	SQUEEGEE BACKING STRIP	1
4	317721	SQUEEGEE STRAP - LH	1
5	317722	SQUEEGEE STRAP - RH	1
6	317725	WING NUT GUARD	2
7	312173	WING NUT	8
8	300564	KNOB - BLACK	6
9	311944	SQUEEGEE STRAP LATCH	1
10	300434	CASTER ASSEMBLY	2
11	400005	NUT - 5/8-11	2
12	317910	SQUEEGEE HOSE	1
13	305871	KNOB W/STUD	2
14	300846	ADJUSTER	2
15	300820	BALL JOINT	1
16	300853	SQUEEGEE LIFT ROD	1
17	317806	TRAILING ARM	4
18	300430	BUSHING	8
19	300339	SLEEVE	4
20	400178	FIBERWASHER	16
21	317715	SQUEEGEE CONTROL ARM - LH	1
22	317714	SQUEEGEE CONTROL ARM - RH	1
23	400088	FENDER WASHER - 3/8	16
24	400028	SCREW - 3/8-16 X 1.50	4
25	400262	SCREW - 3/8-14 X 1.25	4
26	400069	NUT - 5/16-24	4
27	400075	NUT - JAM 3/8-24	2
28	400079	NUT - 3/8-16 ELASTIC	4
	317718	INNER SQUEEGEE	1
30	317720	INNER SQUEEGEE STRAP	1
	400080	NUT - 5/16-18 ELASTIC STOP	16
32	400492	NUT - #6-32 ELASTIC STOP	2
33	400428	SCREW - #6-32 X 1.00	2
40	317769	SCRUBHEAD PLATE	1
41	311829	SCRUBHEAD MOTOR	3
42	317803	SCRUBHEAD LIFT ROD	2
43	311976	ROD END - 1/2	2
44	400021	SCREW - 1/2-13 X 1.75	2

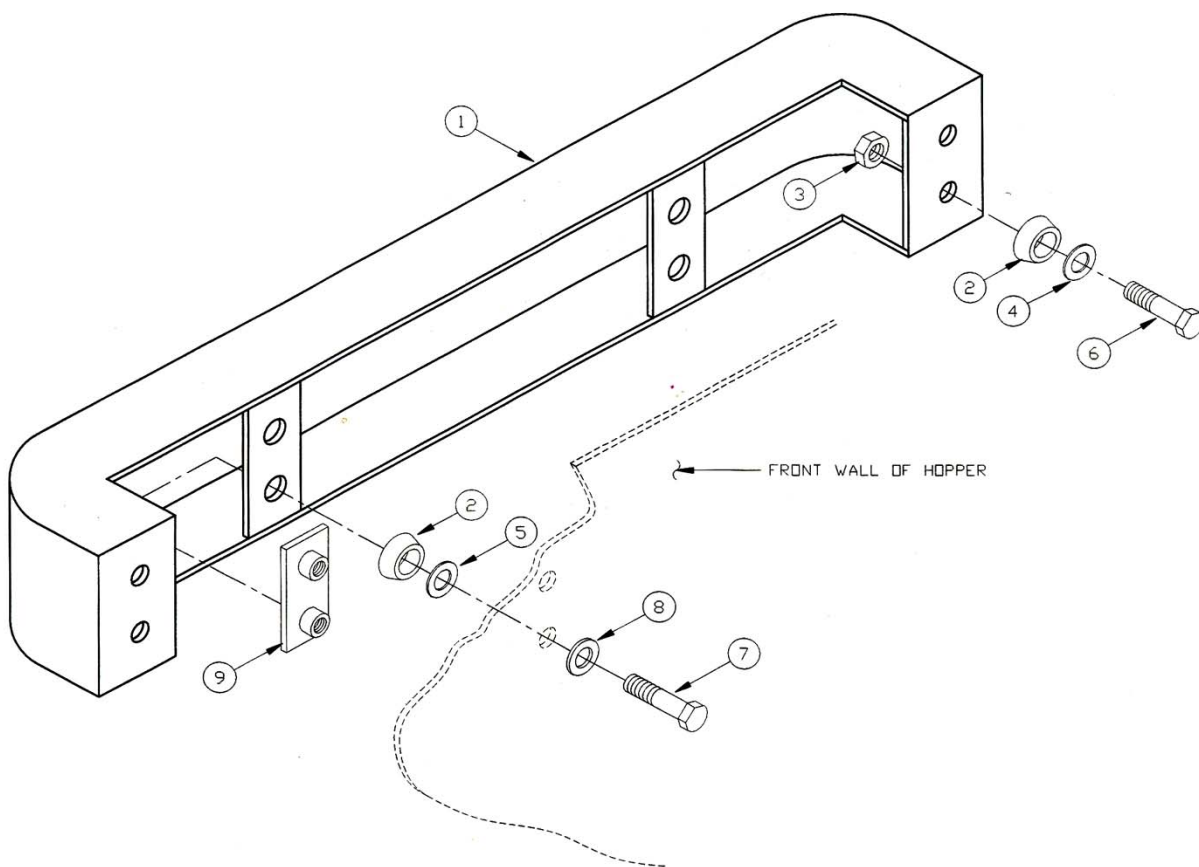


SQUEEGEE GROUP *(Continued)*

REF. #	PART NUMBER	DESCRIPTION OF PART	QTY. USED
45	400064	NUT - 1/2-20	2
46	400078	NUT - 1/2-13 ELASTIC	6
47	400086	WASHER - FLAT 1/2	4
48	317849	LOWER STRUT - RH	1
49	317866	LOWER STRUT - LH	1
50	400040	SCREW - 1/4-20 X 1.00	12
51	400089	WASHER - LOCK 1/4	12
52	312402	BRUSH HUB	3
53	400022	SCREW - 1/2-13 X 1.25	4
54	Optional	SCRUB BRUSH (Choose from following list)	3
	313133	BRUSH - SCRUB BUTCHER WIRE 14"	3
	313125	BRUSH - SCRUB NULO-GRIT 14"	3
	313131	BRUSH - SCRUB WIRE 14"	3
	313135	BRUSH - SCRUB NYLON 14"	3
	313127	BRUSH - SCRUB STRATA-GRIT 14"	3

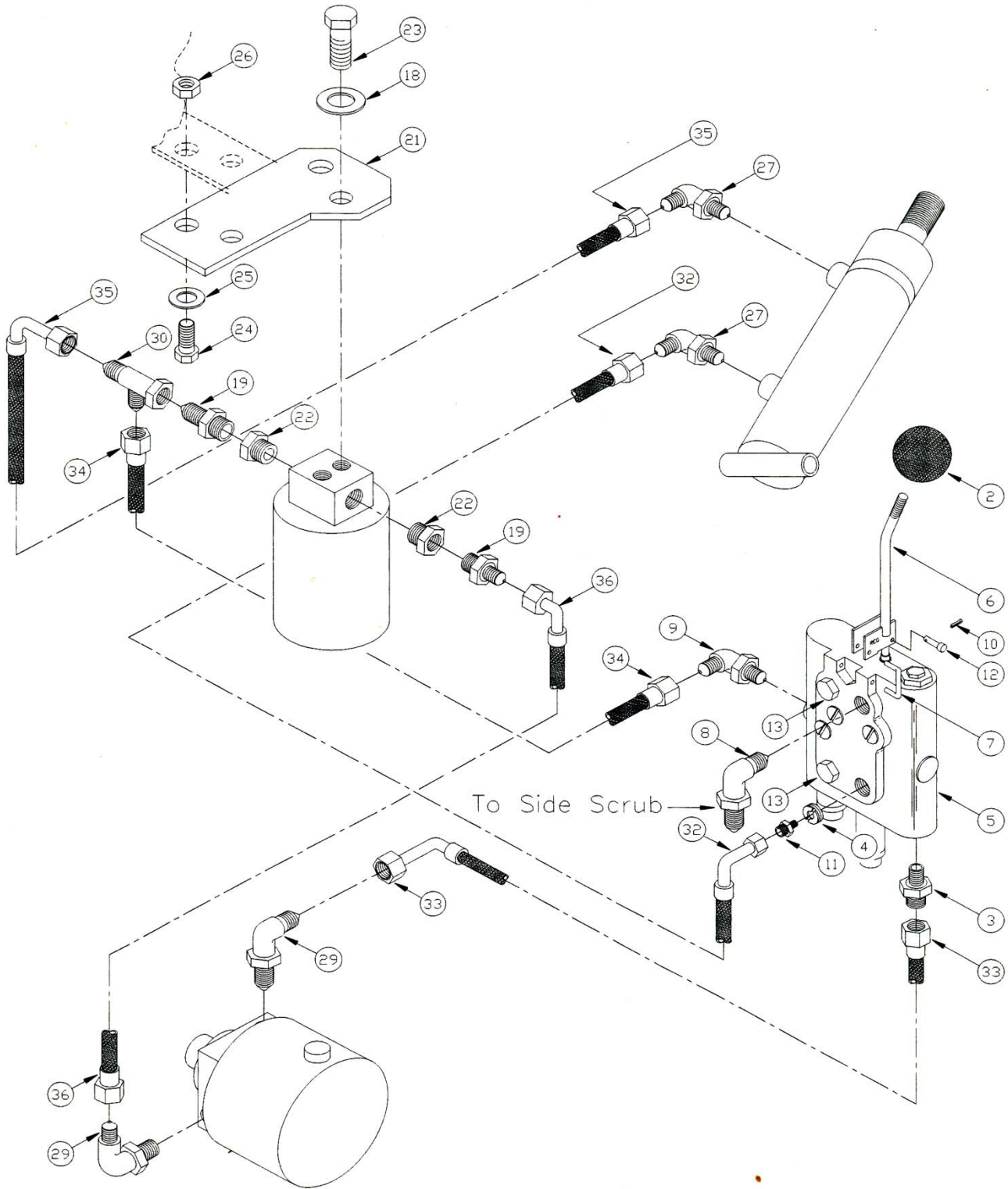


FRONT BUMPER GROUP



021PB001

HYDRAULIC SYSTEM GROUP



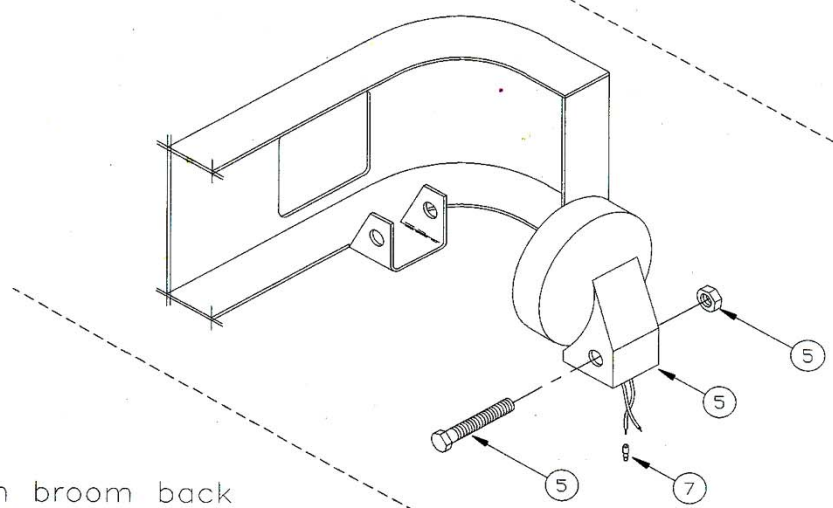
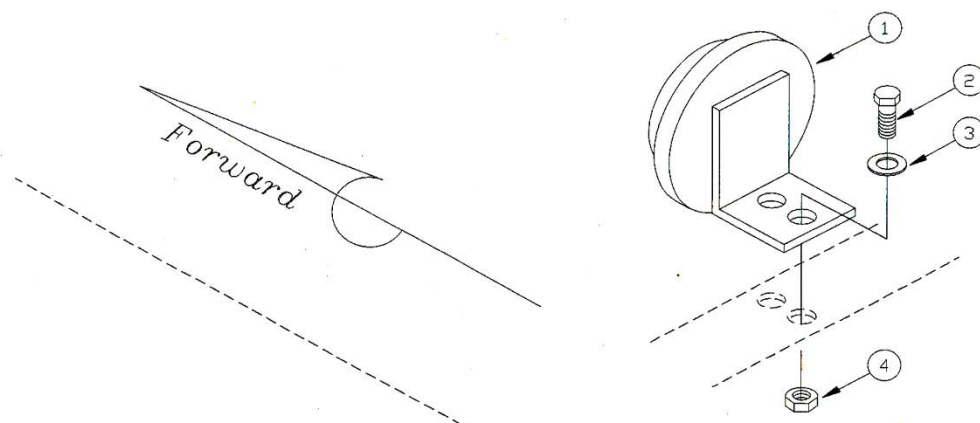
080PB001



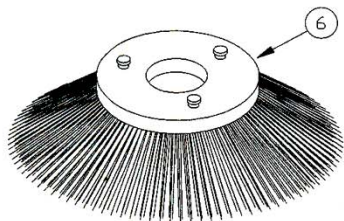
HYDRAULIC SYSTEM GROUP

REF. #	PART NUMBER	DESCRIPTION OF PART	QTY. USED
1	315320	ASSY-CONTROL VALVE SUB 65 (2-13 below)	1
2	300562	KNOB - HANDLE CONTROL VALVE	1
3	304899	FITTING - ADAPTER 3/4-16 TO 1/2 OD TUBE	1
4	313013	ORIFICE - CYL B	1
5	313273	CONTROL VALVE	1
6	313278	WELD - VALVE HANDLE LH 62 G&D	1
7	313298	LINK - U CONTROL	1
8	400153	FITTING - 90 9/16-18 TO #6	1
9	400154	FITTING - 90 3/4-16 TO #8	1
10	400206	PIN - COTTER 3/64 DIA X .5 MONEL	1
11	400264	FITTING - STR 9/16-18 TO #4	1
12	400426	PIN - CLEVIS 3/16 X .75 ZP	1
13	400453	FITTING - PLUG 9/16-18 O-RING STEEL	2
14	400164	FITTING - PLUG 3/4-16 w/O-RING (SP)	1
15	400433	SCREW - HEX 1/4-20 X 2.50 (mount to frame)	2
16	400089	WASHER - FLAT 1/4 STANDARD ZP (mount to frame)	4
17	400063	NUT - FLANGE LOCK 1/4-20 (mount to frame)	2
18	400383	WASHER - CONICAL SPRING 1/4 (mount to frame)	4
19	400150	FITTING - HYD 3/4-16 TO #4 STR	2
20	304174	FILTER - HYDRAULIC	1
21	311947	BRACKET - OIL FILTER MOUNT	1
22	400167	FITTING - HYD ADAPTER 1-1/16-12 TO 3/4-16	2
23	400043	BOLT - 1/4-20 X .5 LONG	2
24	400032	BOLT - 3/8-16 X .75 LONG	2
25	400385	WASHER - CONICAL 3/8	2
26	400392	NUT - FLANGE 3/8-16	2
27	400152	FITTING - HYD 1/2-20 TO #5 90 EL	1
29	400503	FITTING - HYD 9/16-18 TO #8 90 EL	2
30	306819	FITTING - HYD SWIVEL RUN TEE #4 JIC	1
31	400245	FITTING - HYD #4 90 ADAPTER	1
32	311630	HOSE - HYD CONT VALVE TO LIFT CYL	1
33	305331	HOSE - HYD AUX PUMP TO VALVE	1
34	300609	HOSE - HYD FILTER TO RESERVOIR	1
35	311630	HOSE - HYD CONT VALVE TO LIFT CYL	1
36	305331	HOSE - HYD AUX PUMP TO VALVE	1

MISCELLANEOUS GROUP



Note:
Wooden broom back
must have 2" dia.
center hole (Rev. C).



400PB006

MISCELLANEOUS GROUP

REF. #	PART NUMBER	DESCRIPTION OF PART	QTY. USED
1	305005	HORN - 36V	1
2	400036	BOLT - 5/16-18 X .75 LONG	2
3	400384	WASHER - 5/16 CONICAL	2
4	400390	NUT - 5/16-18 FLANGE	2
5	311681	HEADLIGHT - 36V (HARDWARE SUPPLIED)	2
6	317820	BROOM - SIDE POLY 21"	1
7	307610	SWITCH -IGNITION	1
	311671	WIRING HARNESS - JUMPER INST PANEL L	2
	311673	WIRING HARNESS - JUMPER INST PANEL 4C	1
	302462	TERMINAL - MALE BULLET CRIMP-ON	4
	312164	WIRING HARNESS - LINTEL	1
	312163	WIRING HARNESS - CLIP	1
	301358	TIE - WIRE	10
	302472	MOUNT - WIRE TIES	6
	302776	MOUNT - WIRE TIES	4
	400484	RIVET - POP 3/16 X .602	4
	400441	RIVET - DRIVE 1/8	4
	311565	INSULATOR - TERMINAL	6

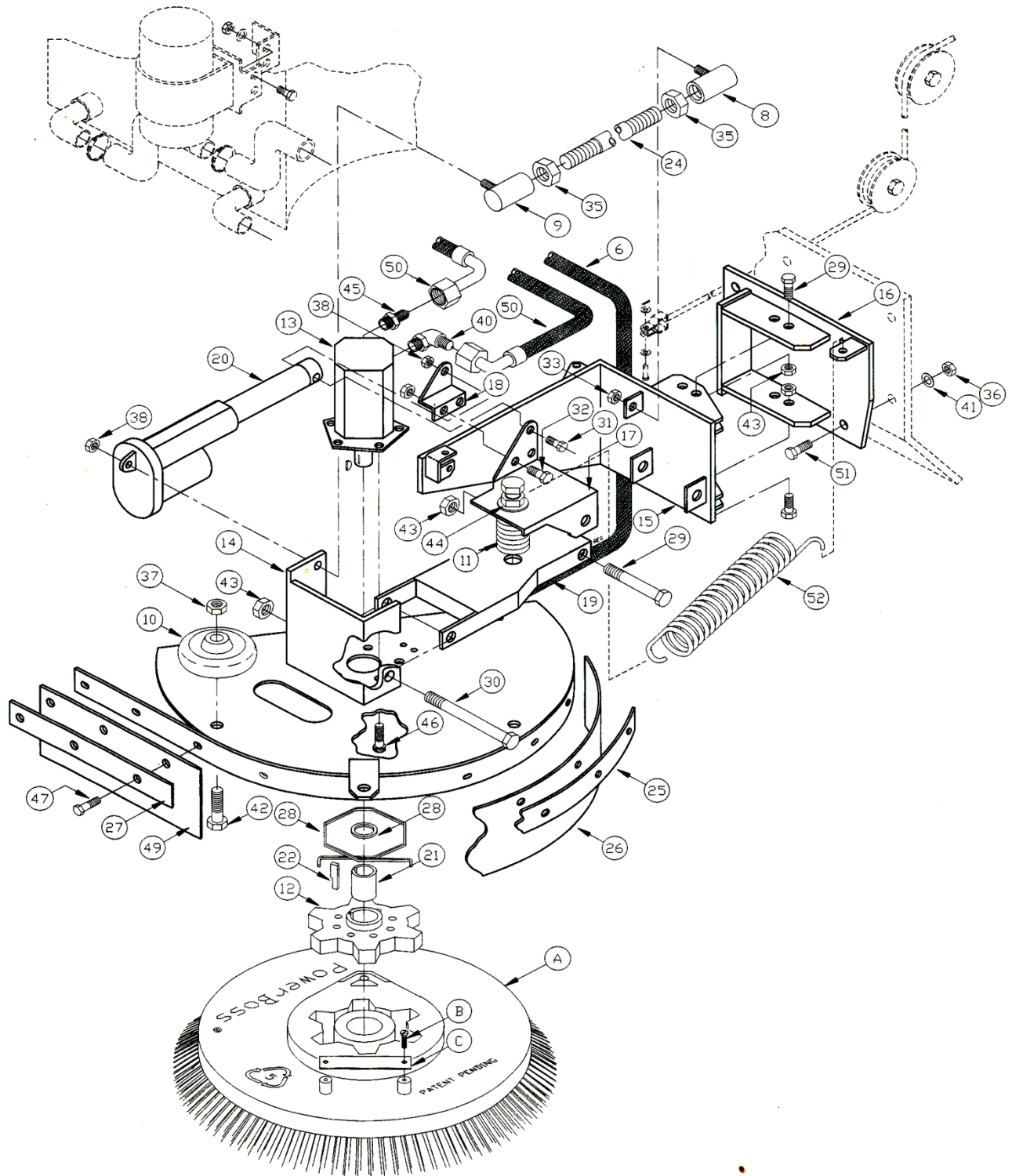


DECAL GROUP

REF. #	PART NUMBER	DESCRIPTION OF PART	QTY. USED
	301728	DECAL - WARNING TANK	1
	301729	DECAL - WARNING FAN INLET	1
	301730	DECAL - WARNING	2
	301732	DECAL - WARNING	2
	307581	DECAL - "POWERBOSS" SW/A & BADGER	1
	307583	DECAL - "*" (LOGO)	2
	307599	DECAL - IGNITION	1
	311847	DECAL - LINTEL TOP	1
	317819	DECAL - SIDE SCRUB TSS/65E	1
	317826	DECAL - "OTTER"	1
	317850	DECAL "TSS/65E"	1
	312149	DECAL "CSS/65E" (CSS ONLY)	1
	317851	DECAL - CLIP / INSTRUMENTS	1

SIDE SCRUB OPTION

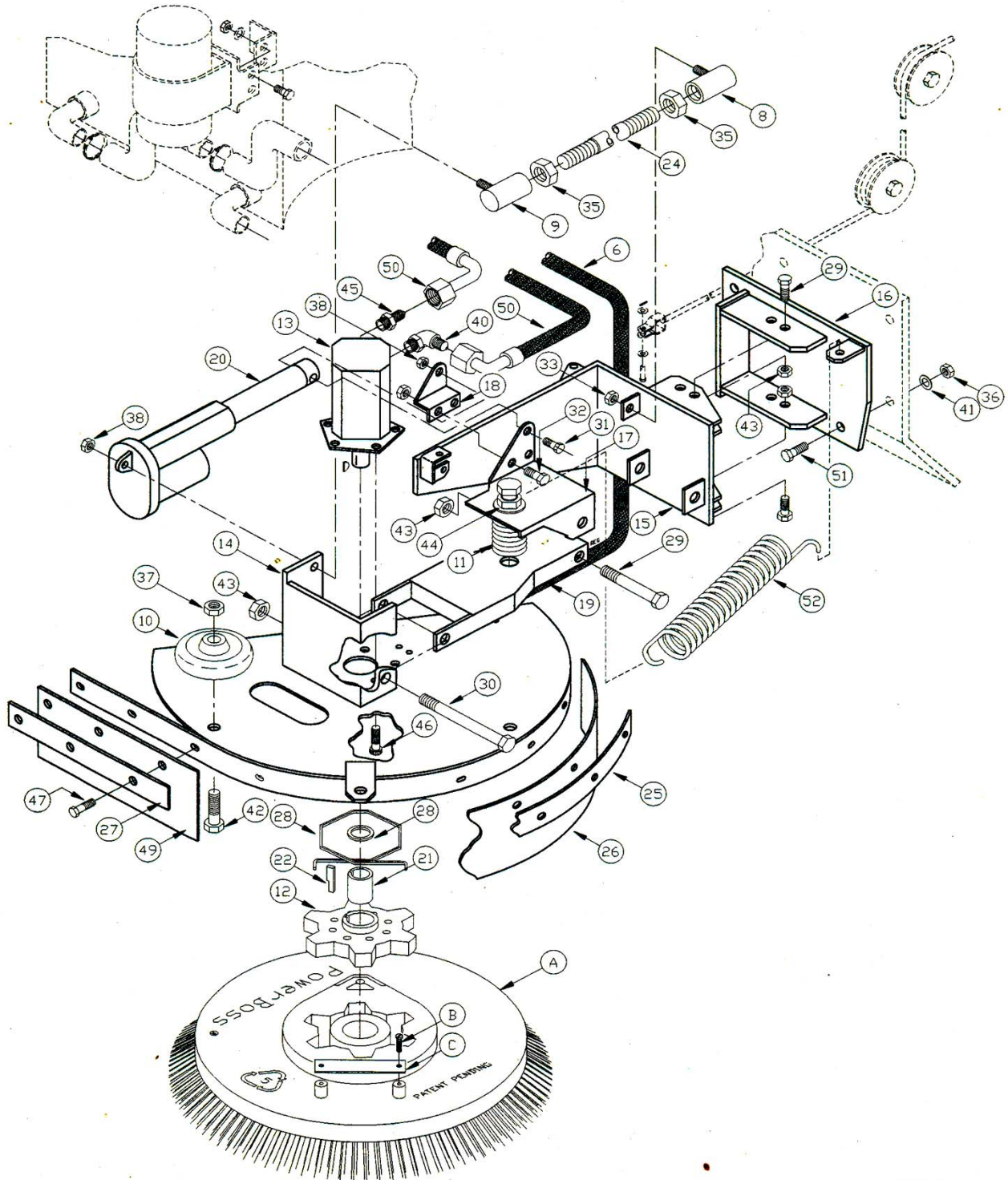
- EdgeScrub™ -



300PB001

SIDE SCRUB OPTION (Continued)

- EdgeScrub™ -

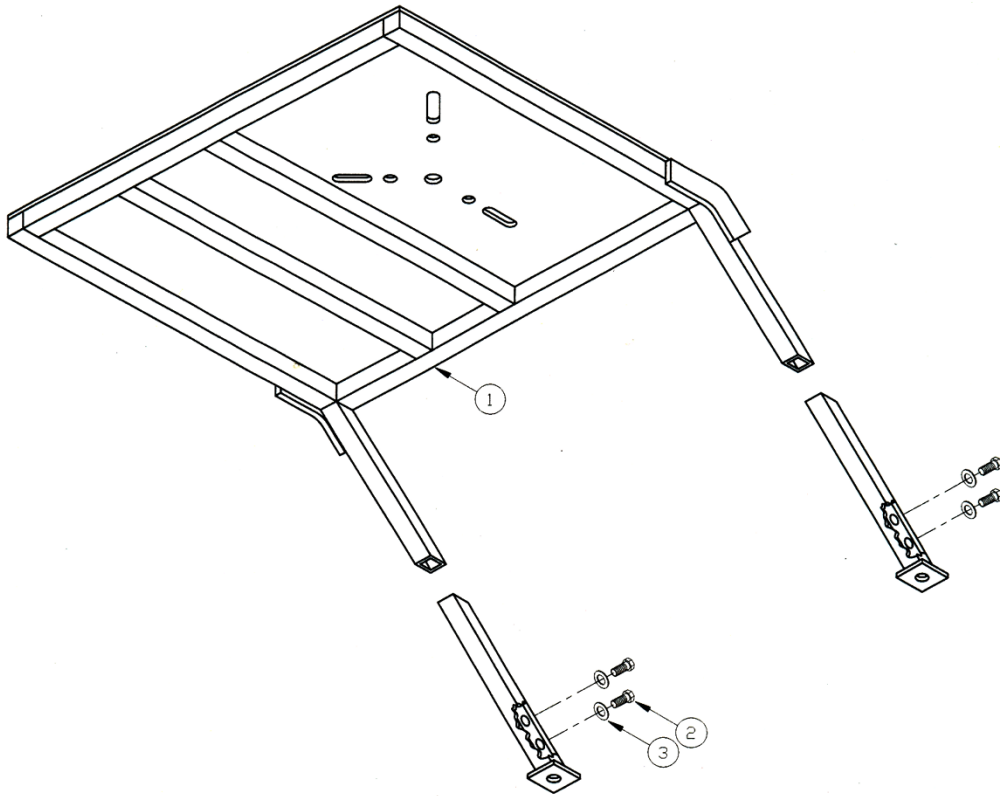


300PB001

SIDE SCRUB OPTION (Continued)
- EdgeScrub™ -

REF. #	PART NUMBER	DESCRIPTION OF PART	QTY. USED
38	400081	NUT - HEX 1/4-20 ES ZP	4
39	400086	WASHER - FLAT 1/2 STANDARD ZP	6
40	400153	FTG - 90 9/16-18 TO #6	1
41	400278	WASHER - FENDER 3/8	2
42	400311	SCR - HEX, 5/16-18 X 1.75 ZP FTHD	3
43	400317	NUT - HEX JAM 1/2-13 ES ZP	6
44	400473	SCR - HEX, 3/8-16 X 3.00 ZP FTHD	3
45	400635	FTG - ADAPTOR CONNECTOR 9/16-18	1
46	400641	SCR - SOC BH 1/4-28 X .75 BLD OX	3
47	400655	SCR - HHM 1/4-28 X 1.50	1
48	400237	FTG - HOSE BARB 1/4 MPT - 1/4 HOSE	1
49	317963	SQUEEGEE - SIDE SCRUB	1
50	317885	HOSE - VLV TO S-SCRUB MTR INNER	2
51	400029	SCR - HEX, 3/8-16 X 1.25 ZP	4
52	302679	SPRING - EXT HYD SQUEEGEE LIFT	1

OVERHEAD GUARD OPTION



300PB006



SIDE SCRUB OPTION

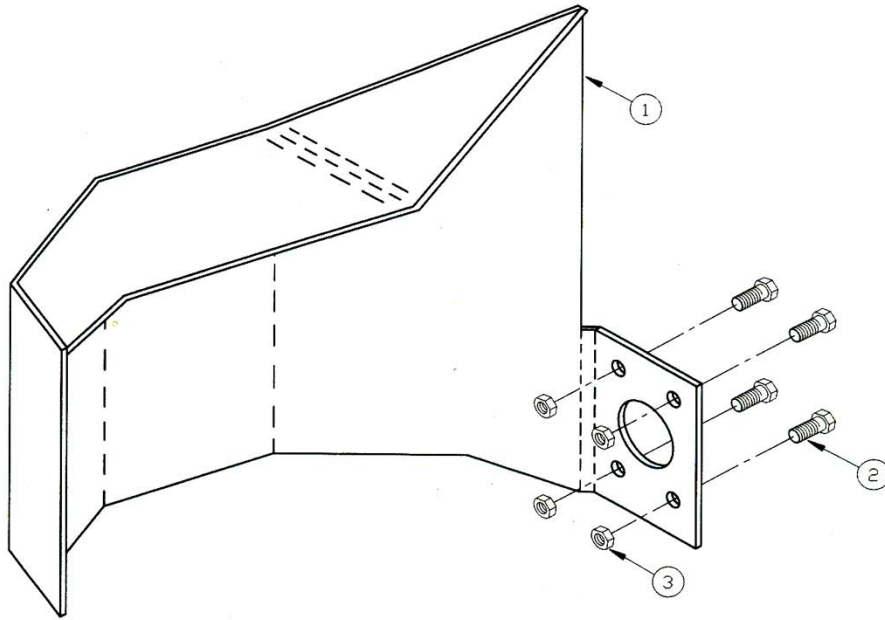
- EdgeScrub™ -

REF. #	PART NUMBER	DESCRIPTION OF PART	QTY. USED
	303301	FTG - REDUCER 3/8 MPT X 1/4 FPT	1
2	303303	FTG - TEE 3/8 FPT	1
3	307829	FTG - HOSE BARB 1/2 X 3/8 MPT	2
4	311321	CLEVIS & COTTER PIN - BRAKE ROD	1
5	317819	DECAL - SIDE SCRUB	1
6	317916	HOSE - SOL DELIVERY S-SCRUB	1
7	317951	ASSY - SIDE SCRUB SUB TSS/65	1
8	300461	BALL JOINT - 3/8 - 24 W/DUST COVER	1
9	300820	BALL JOINT - 3/8 - 24 W/QK REL	1
10	308158	WHEEL-ROLLER 3" OD SQUEEGEE	3
11	311566	SPRING - COMPRESSION CURB BROOM	1
12	312406	HUB - SCRUB BRUSH DRIVE 1" ID	1
13	317726	MOTOR - HYD SIDE SCRUB J-SERIES	1
14	317736	ASSY - MNT SIDE SCRUB PNTD	1
15	317742	ASSY - MNT LIFT ARM S-SCRUB PNTD	1
16	317749	ASSY - MNT FRAME SIDE SCRUB PNTD	1
17	317760	ASSY - LIFT ARM ACT S-SCRUB PNTD	1
18	317761	BRACKET - ACTUATOR SIDE SCRUB	1
19	317765	ASSY - LIFT ARM SIDE SCRUB PNTD	1
20	317770	ACTUATOR - SIDE SCRUB 62	1
21	317827	ADAPTOR - MOTOR SLEEVE	1
22	317828	KEY - SIDE SCRUB MOTOR SHAFT	1
23	317847	WELDMENT - S-SCRUB STOP	1
24	317899	ROD - SIDE SCRUB TSS/65	1
25	317961	STRAP - MNT SIDE SCRUB	1
26	317962	FLAP - SIDE SCRUB	1
27	317965	STRAP - SIDE SCRUB SQUEEGEE	1
28	320604	SPACER - SIDE SCRUB SHAFT	2
29	400022	SCR - HEX, 1/2-13 X 1.25 ZP	4
30	400023	SCR - HEX, 1/2-13 X 1.00 ZP	2
31	400039	SCR - HEX, 1/4-20 X 2.00 ZP	1
32	400042	SCR - HEX, 1/2-13 X 0.75 ZP	2
33	400067	NUT - HEX 3/8-24 ZP	2
34	400068	NUT - HEX 3/8-16 ZP	1
35	400075	NUT - HEX JAM 3/8-24 ZP	4
36	400079	NUT - HEX 3/8-16 ES ZP	1
37	400080	NUT - HEX 5/16-18 ES ZP	3

**OVERHEAD GUARD OPTION**

REF. #	PART NUMBER	DESCRIPTION OF PART	QTY. USED
1	311690	ASSY - OVERHEAD GUARD 62/65 PNTD	1
2	400023	SCREW - HEX, 1/2-13 X 1.00 ZP	6
3	400387	WASHER - CONICAL SPRING 1/2	6
	319625	KIT/FLD - OVERHEAD GUARD	1

HEAVY DUTY CURB BROOM GUARD OPTION



300PB002

HEAVY DUTY CURB BROOM GUARD OPTION

REF. #	PART NUMBER	DESCRIPTION OF PART	QTY. USED
1	313090	ASSY - CURB BRM GUARD PNTD 62 G&D	1
2	400029	SCREW - HEX, 3/8-16 X 1.25 ZP	4
3	400079	NUT - HEX 3/8-16 ES ZP	4
	319626	KIT/FLD - HDCB SW62 GDLP / TSS65E	1

GRAMMER SEAT OPTION

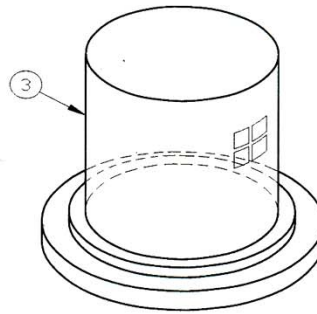
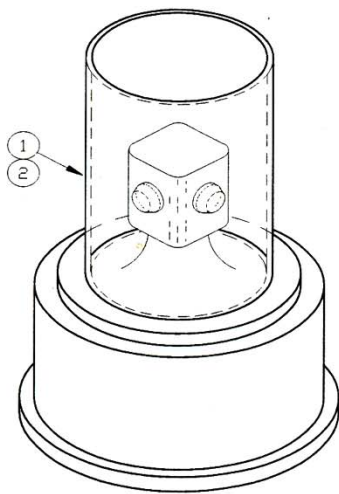




GRAMMER SEAT OPTION

REF. #	PART NUMBER	DESCRIPTION OF PART	QTY. USED
1	300489	SEAT - GRAMMER MODEL #GS-12	1

WARNING LIGHT OPTIONS



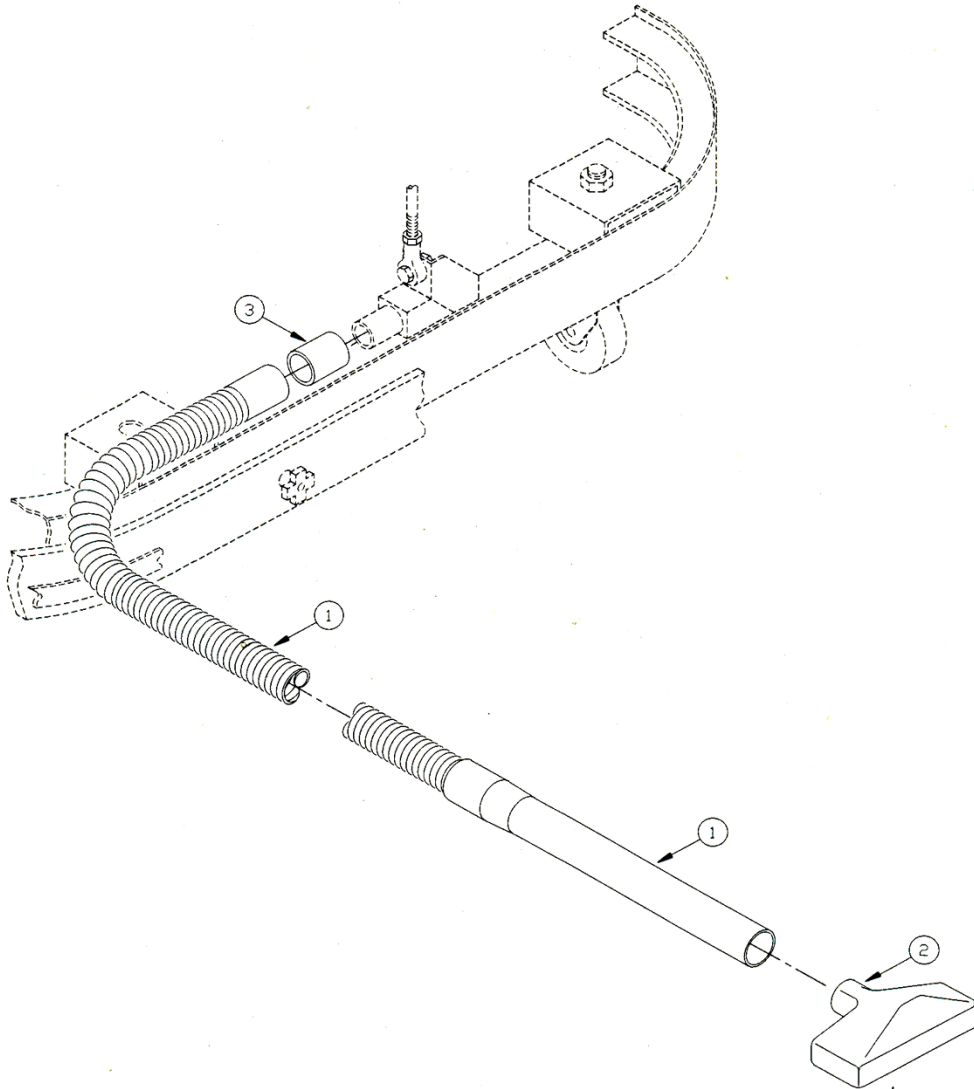
300PB005

WARNING LIGHT OPTIONS

REF. #	PART NUMBER	DESCRIPTION OF PART	QTY. USED
1	312178	LIGHT - STROBE RED 36V	1
	312179	LIGHT - STROBE BLUE 36V	1
	312138	LIGHT - STROBE AMBER 12-48 VOLTS	1
2	312183	LIGHT - ROTATING AMBER 36V	1
	312184	LIGHT - ROTATING RED 36V	1
	312185	LIGHT - ROTATING BLUE 36V	1
3	312180	LIGHT - FLASHING AMBER 36V	1
	312181	LIGHT - FLASHING RED 36V	1
	312182	LIGHT - FLASHING BLUE 36V	1
KITS:			
1	316112	KIT/FLD - LIGHT STROBE RED 62/65	1
	316114	KIT/FLD - LIGHT STROBE BLUE 62/65	1
	316110	KIT/FLD - LIGHT STROBE AMBER 62/65	1
2	316122	KIT/FLD - LIGHT ROTATING AMBER 62/65	1
	316124	KIT/FLD - LIGHT ROTATING RED 62/65	1
	316126	KIT/FLD - LIGHT ROTATING BLUE 62/65	1
3	316118	KIT/FLD - LIGHT FLASHING AMBER 62/65	1
	316116	KIT/FLD - LIGHT FLASHING RED 62/65	1
	316120	KIT/FLD - LIGHT FLASHING BLUE 62/65	1



SQUEEGEE WAND OPTION



300PB003

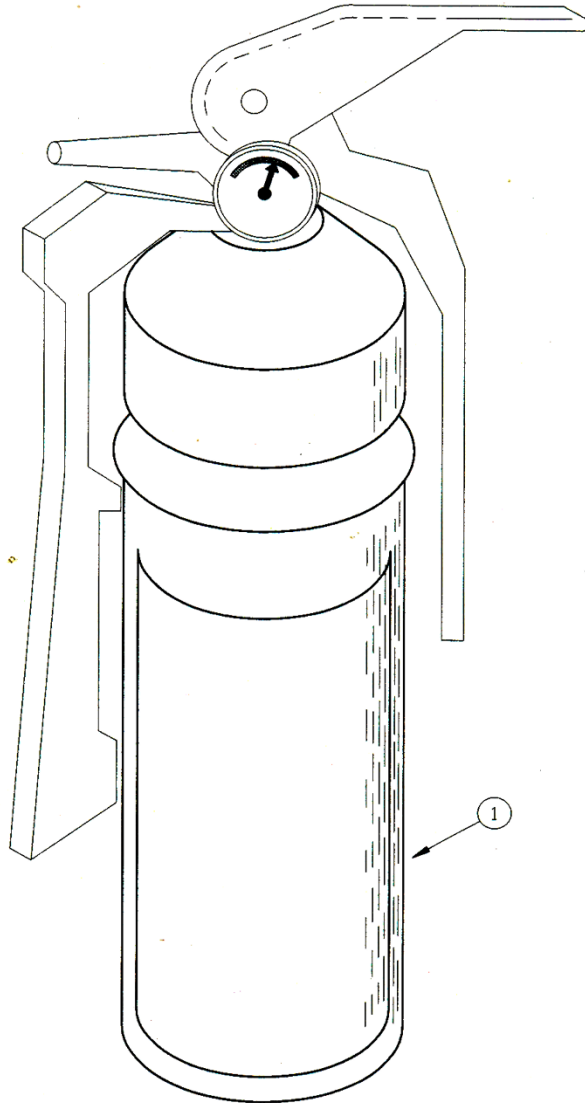
SQUEEGEE WAND OPTION

REF. #	PART NUMBER	DESCRIPTION OF PART	QTY. USED
1	302772	SQUEEGEE WAND - KIT	1
2	302773	ADAPTER - HOSE SQUEEGEE WAND	1
3	319226	KIT/MFG - SQUEEGEE WAND	1

FIRE EXTINGUISHER OPTION

REF. #	PART NUMBER	DESCRIPTION OF PART	QTY. USED
1	302769	EXTINGUISHER - FIRE REFILLABLE	1
	400081	NUT - HEX 1/4-20 ES ZP	4
	400232	SCR - PAN, 1/4-20 X 0.62, PHL ZP	4
	317316	KIT/FLD - FIRE EXTINGUISHER	1

FIRE EXTINGUISHER OPTION



300PB004